

Thrust pads

Item description/product images



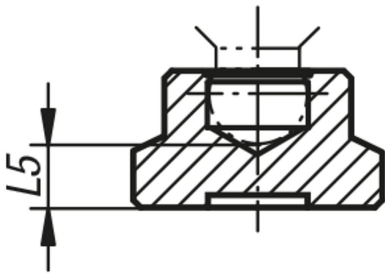
Description

Material:
Steel.
PA 6 plastic.

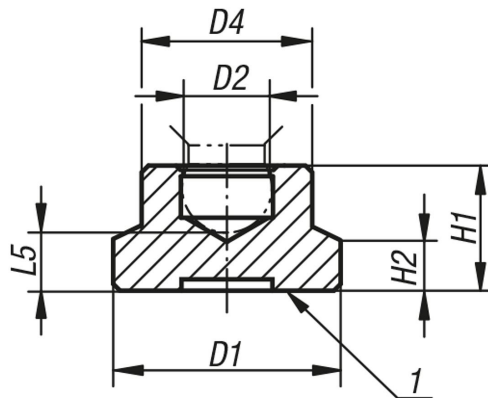
Version:
Black oxidised.
Black plastic.

Note:
Suitable for grub screws with ballend pin.

Drawing reference:
1) thrust face



Drawings



Overview of items

Thrust pads

Order No.	Form	Main material	D1	D2	D4	H1	H2	L5	Suitable for grub screws
K0393.06	A	steel	15	4,4	8,6	7,6	2,5	3,8	M6
K0393.08	A	steel	18	5,9	12	9	3,5	4,4	M8
K0393.10	A	steel	21	7,9	15	11	4	5	M10

Thrust pads

Overview of items

Order No.	Form	Main material	D1	D2	D4	H1	H2	L5	Suitable for grub screws
K0393.12	A	steel	25	7,9	18	13	5	6,9	M12
K0393.206	A	polyamide	15	4,4	8,6	7,6	2,5	3,8	M6
K0393.208	B	polyamide	18	5,9	12	9	3,5	4,4	M8
K0393.210	C	polyamide	21	7,9	15	11	4	5	M10
K0393.212	C	polyamide	25	7,9	18	13	5	6,9	M12