

Clamp straps with adjustment unit

Item description/product images



Description

Material:

Base, ductile iron.

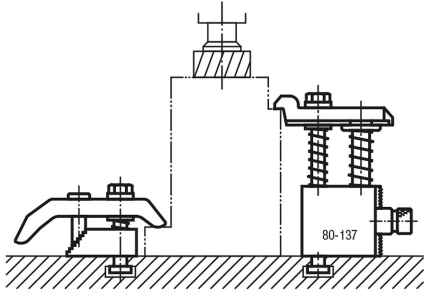
Clamp strap and clamping screw carbon steel.

Version:

Black oxidised.

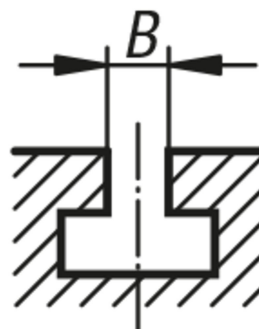
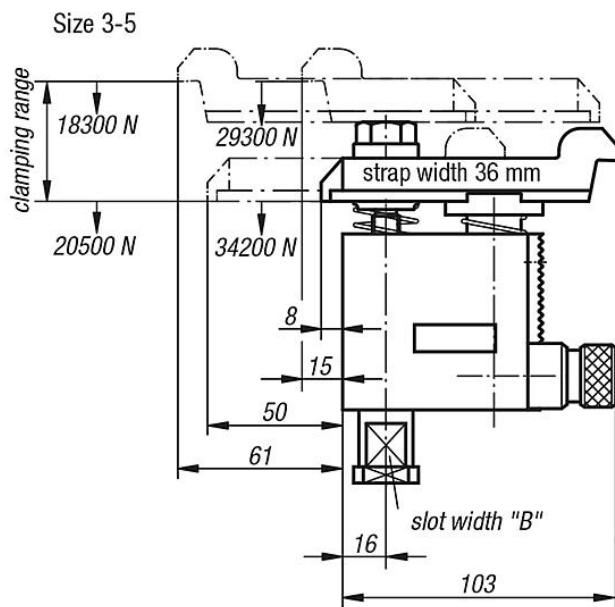
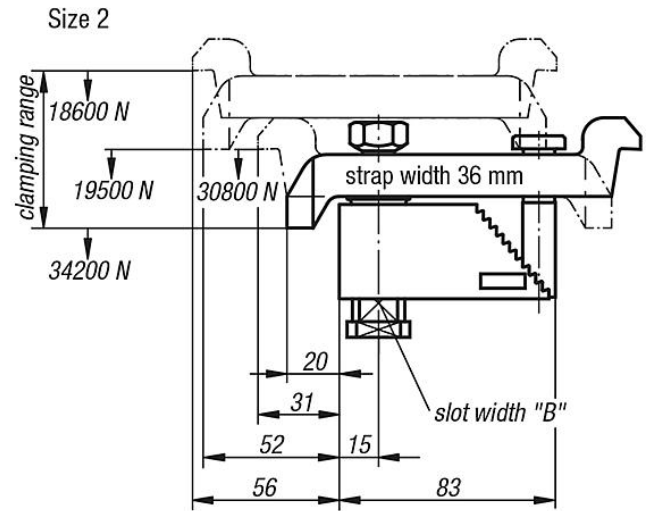
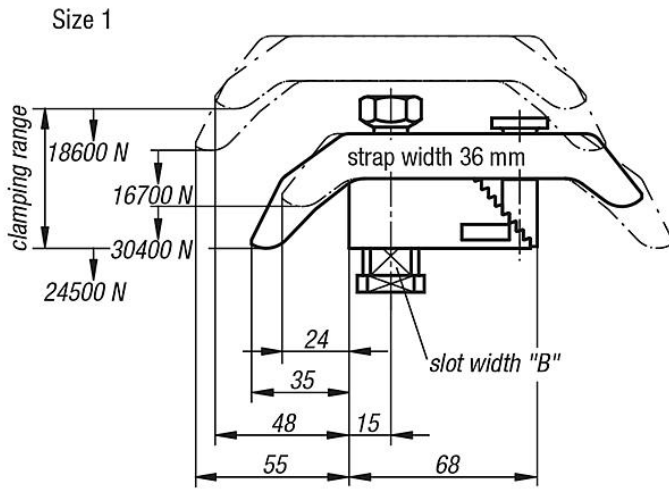
Note:

These clamp strap modules are universal, flexible clamps constructed from individual components building a compact unit. There are no loose parts which first have to be altered for a clamping operation. The compact design allows these clamps to be placed close to the workpiece enabling the full area of the machine table to be used.



Clamp straps with adjustment unit

Drawings



Overview of items

Clamp straps with adjustment unit

Clamp straps with adjustment unit

Overview of items

Order No.	Size	Clamp range	Slot width B DIN 650
K0004.10X12	1	0-35	12
K0004.10X14	1	0-35	14
K0004.10X16	1	0-35	16
K0004.10X18	1	0-35	18
K0004.20X12	2	25-85	12
K0004.20X14	2	25-85	14
K0004.20X16	2	25-85	16
K0004.20X18	2	25-85	18
K0004.30X12	3	80-137	12
K0004.30X14	3	80-137	14
K0004.30X16	3	80-137	16
K0004.30X18	3	80-137	18
K0004.40X12	4	125-224	12
K0004.40X14	4	125-224	14
K0004.40X16	4	125-224	16
K0004.40X18	4	125-224	18
K0004.50X12	5	160-300	12
K0004.50X14	5	160-300	14
K0004.50X16	5	160-300	16
K0004.50X18	5	160-300	18