

Tube clamps cross stainless steel

Item description/product images



Description

Material:

Investment cast 1.4308 stainless steel.

ISO 4762 cap screw and ISO 4032 hex nut, stainless steel.

From $\varnothing 30$ mm ISO 4017 hex head bolt, stainless steel.

Note:

The tube clamps with diameters 30 and 40 mm have a silicone sleeve that protects the thread of the hex head screw from contamination and damage.

On request:

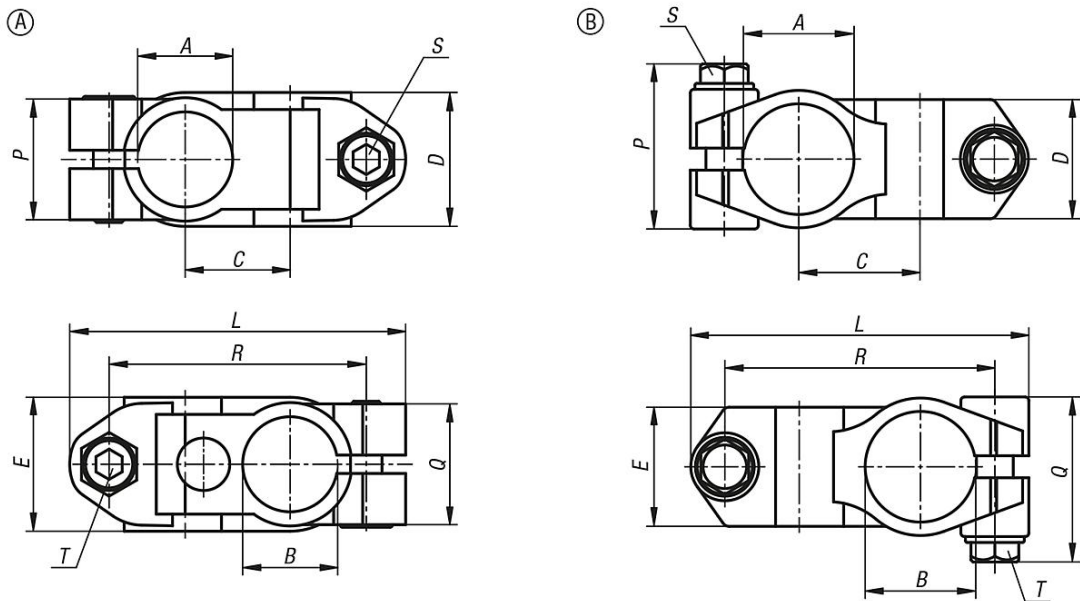
Clamping levers for tightening.

Accessory:

- Round and square tubes K0493

Tube clamps cross stainless steel

Drawings



Overview of items

Tube clamps cross, stainless steel

Order No.	Form	A	B	C	D	E	L	P	Q	R	S	T
K0472.11212	A	12,1	12,1	20	25,5	25,5	64	23	23	49	M6x18	M6x18
K0472.11414	A	14,1	14,1	20	25,5	25,5	64	23	23	49	M6x18	M6x18
K0472.11616	A	16,1	16,1	20	25,5	25,5	64	23	23	49	M6x18	M6x18
K0472.11818	A	18,1	18,1	20	25,5	25,5	64	23	23	49	M6x18	M6x18
K0472.12020	A	20,1	20,1	21	25,5	25,5	64	23	23	49	M6x18	M6x18
K0472.13030	B	30,1	30,1	33	32,4	32,4	92	45,5	45,5	73,5	M8x30	M8x30
K0472.14040	B	40,17	40,17	42	40,4	40,4	118	52	52	95,5	M10x35	M10x35