

Ring bolts DIN 580

Item description/product images



Description

Material:

1.1141 steel or 1.4301 stainless steel.

Version:

Steel: drop forged.

Stainless steel: cast.

Note:

DIN 580 steel ring bolts:

Stainless steel ring bolts similar to DIN 580:

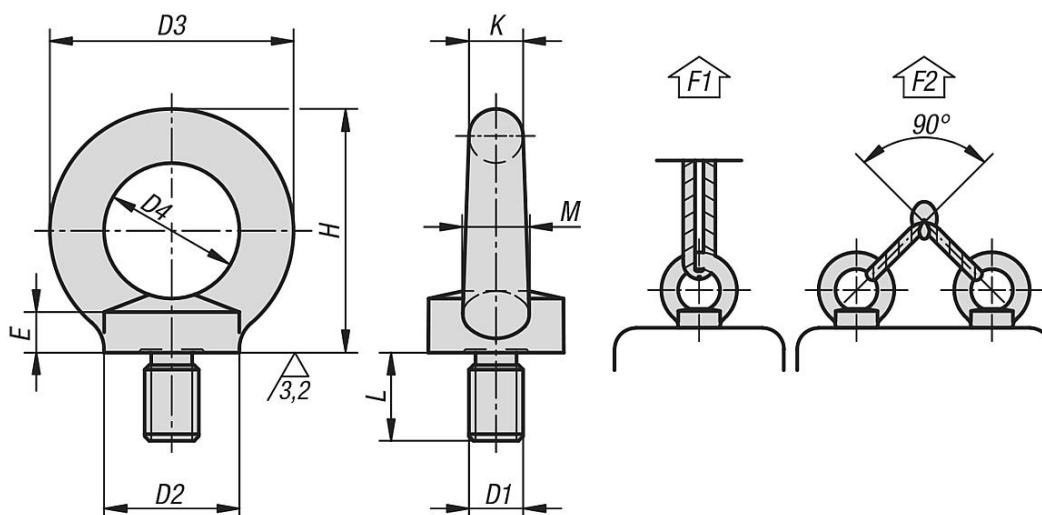
For light requirements, e.g. fence construction, chain barriers and light machining.

F2 load handling with max. 45° sling angle per ring bolt.

On request:

Available with CE marking and certificate of conformity.

Drawings



Overview of items

Ring bolts DIN 580

Order No.	Main material	Steel code	D1	L	D2	D3	D4	E	H	K	M	F1 max. kN	F2 max. kN	Permissible load kg
K0767.08	steel	1.1141	M8	13	20	36	20	6	36	8	10	1,4	0,95	96,9
K0767.10	steel	1.1141	M10	17	25	45	25	8	45	10	12	2,3	1,7	173,4
K0767.12	steel	1.1141	M12	20,5	30	54	30	10	53	12	14	3,4	2,4	244,8
K0767.16	steel	1.1141	M16	27	35	63	35	12	62	14	16	7	5	510
K0767.20	steel	1.1141	M20	30	40	72	40	14	71	16	19	12	8,3	846,6
K0767.24	steel	1.1141	M24	36	50	90	50	18	90	20	24	18	12,7	1295,4
K0767.108	stainless steel	1.4301	M8	13	20	36	20	6	36	8	10	1,4	0,95	96,9
K0767.110	stainless steel	1.4301	M10	17	25	45	25	8	45	10	12	2,3	1,7	173,4
K0767.112	stainless steel	1.4301	M12	20,5	30	54	30	10	53	12	14	3,4	2,4	244,8
K0767.116	stainless steel	1.4301	M16	27	35	63	35	12	62	14	16	7	5	510
K0767.120	stainless steel	1.4301	M20	30	40	72	40	14	71	16	19	12	8,3	846,6
K0767.124	stainless steel	1.4301	M24	36	50	90	50	18	90	20	24	18	12,7	1295,4

Ring bolts DIN 580

Overview of items

Order No.	Main material	Steel code	D1	L	D2	D3	D4	E	H	K	M	F1 max. kN	F2 max. kN	Permissible load kg
K0767.208	stainless steel	1.4401	M8	13	20	36	20	6	36	8	10	1,4	0,95	96,9
K0767.210	stainless steel	1.4401	M10	17	25	45	25	8	45	10	12	2,3	1,7	173,4
K0767.212	stainless steel	1.4401	M12	20,5	30	54	30	10	53	12	14	3,4	2,4	244,8
K0767.216	stainless steel	1.4401	M16	27	35	63	35	12	62	14	16	7	5	510
K0767.220	stainless steel	1.4401	M20	30	40	72	40	14	71	16	19	12	8,3	846,6
K0767.224	stainless steel	1.4401	M24	36	50	90	50	18	90	20	24	18	12,7	1295,4