

## Triangular grips 2K ergonomic

### Item description/product images



### Description

#### Material:

Hard components fibreglass reinforced plastic.  
Soft components thermoplastic elastomer.  
Bush or screw, steel grade 5.8 or stainless steel 1.4305.

#### Version:

Steel trivalent blue passivated.  
Stainless steel, bright.

#### Note:

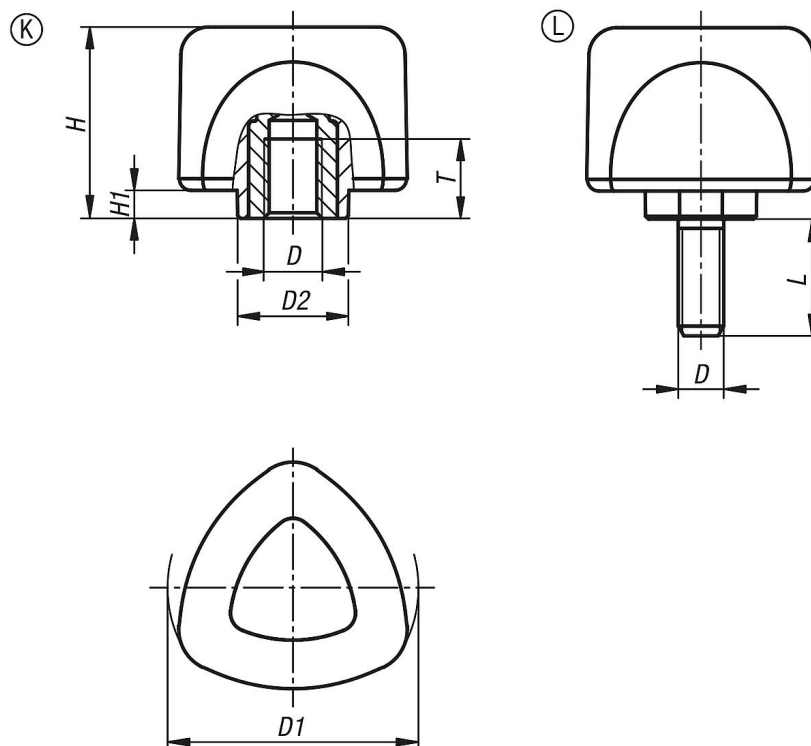
The colour combinations  
graphite black RAL 9011 (hard components) and  
black grey RAL 7021 (soft components)  
are supplied as standard.

The soft components ensure a non-slip grip of the operating part. The closed design offers sufficient protection against dirt.

#### On request:

Further colour combinations.

### Drawings



### Overview of items

### Internal thread

## Triangular grips 2K ergonomic

### Overview of items

Order No.	Form	Component material	D	D1	D2	H	H1	L	T
K0980.5008	K	steel	M8	53,8	23,9	41	6	-	17
K0980.5010	K	steel	M10	53,8	23,9	41	6	-	17
K0980.6308	K	steel	M8	67,7	23,9	36	6	-	17
K0980.6310	K	steel	M10	67,7	23,9	36	6	-	17
K0980.05008	K	stainless steel	M8	53,8	23,9	41	6	-	17
K0980.05010	K	stainless steel	M10	53,8	23,9	41	6	-	17
K0980.06308	K	stainless steel	M8	67,7	23,9	36	6	-	17
K0980.06310	K	stainless steel	M10	67,7	23,9	36	6	-	17
K0980.5008X20	L	steel	M8	53,8	23,9	41	6	20	-
K0980.5008X25	L	steel	M8	53,8	23,9	41	6	25	-
K0980.5008X30	L	steel	M8	53,8	23,9	41	6	30	-
K0980.5008X40	L	steel	M8	53,8	23,9	41	6	40	-
K0980.5010X20	L	steel	M10	53,8	23,9	41	6	20	-
K0980.5010X25	L	steel	M10	53,8	23,9	41	6	25	-
K0980.5010X30	L	steel	M10	53,8	23,9	41	6	30	-
K0980.5010X40	L	steel	M10	53,8	23,9	41	6	40	-
K0980.6308X20	L	steel	M8	67,7	23,9	36	6	20	-
K0980.6308X25	L	steel	M8	67,7	23,9	36	6	25	-
K0980.6308X30	L	steel	M8	67,7	23,9	36	6	30	-
K0980.6308X40	L	steel	M8	67,7	23,9	36	6	40	-
K0980.6310X20	L	steel	M10	67,7	23,9	36	6	20	-
K0980.6310X25	L	steel	M10	67,7	23,9	36	6	25	-
K0980.6310X30	L	steel	M10	67,7	23,9	36	6	30	-
K0980.6310X40	L	steel	M10	67,7	23,9	36	6	40	-
K0980.05008X20	L	stainless steel	M8	53,8	23,9	41	6	20	-
K0980.05008X25	L	stainless steel	M8	53,8	23,9	41	6	25	-
K0980.05008X30	L	stainless steel	M8	53,8	23,9	41	6	30	-
K0980.05008X40	L	stainless steel	M8	53,8	23,9	41	6	40	-
K0980.05010X20	L	stainless steel	M10	53,8	23,9	41	6	20	-
K0980.05010X25	L	stainless steel	M10	53,8	23,9	41	6	25	-
K0980.05010X30	L	stainless steel	M10	53,8	23,9	41	6	30	-
K0980.05010X40	L	stainless steel	M10	53,8	23,9	41	6	40	-
K0980.06308X20	L	stainless steel	M8	67,7	23,9	36	6	20	-
K0980.06308X25	L	stainless steel	M8	67,7	23,9	36	6	25	-
K0980.06308X30	L	stainless steel	M8	67,7	23,9	36	6	30	-
K0980.06308X40	L	stainless steel	M8	67,7	23,9	36	6	40	-
K0980.06310X20	L	stainless steel	M10	67,7	23,9	36	6	20	-
K0980.06310X25	L	stainless steel	M10	67,7	23,9	36	6	25	-
K0980.06310X30	L	stainless steel	M10	67,7	23,9	36	6	30	-
K0980.06310X40	L	stainless steel	M10	67,7	23,9	36	6	40	-