

Cup elements type H2

Item description/product images



Description

Material:

Metal parts, steel, grade 5.6.
Natural rubber, hardness Shore 40 or 60 A.

Version:

Steel electro zinc-plated.

Note:

The cup elements are highly elastic both in radial and in axial direction and therefore offer an outstanding impact isolation.

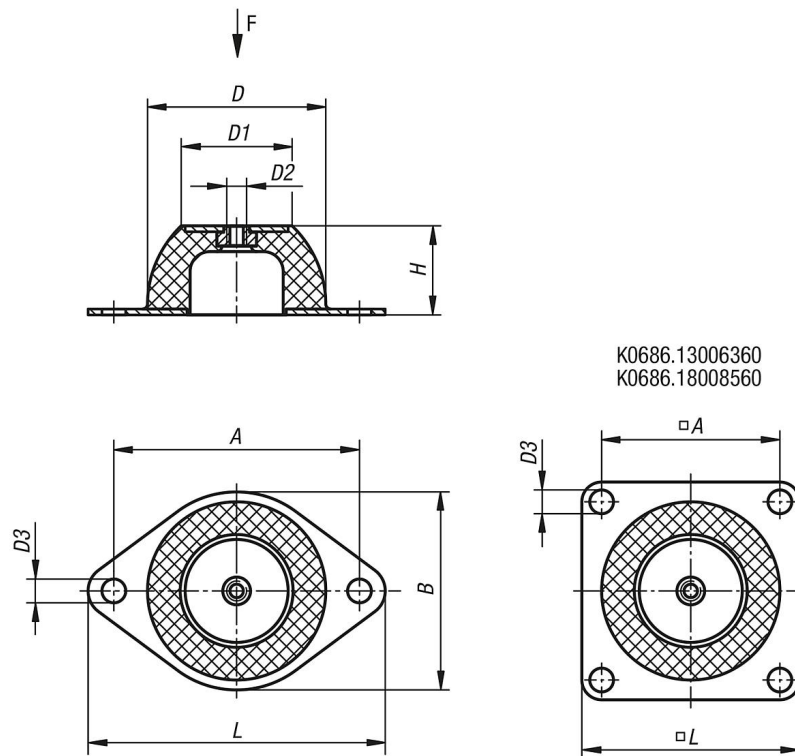
The special shaping of the cup elements allows isolation of sound and vibrations of machines and assemblies with a low natural frequency. They are especially suitable for supporting sensitive instruments and small devices.

The elements must not be subjected to tensile stress.

Temperature range:

-30°C to +80°C.

Drawings



Overview of items

Cup elements type H2

Order No.	Version	A	B	D	D1	D2	D3	H	L	Load rating max. kN
K0686.03502040	Shore 40A	50	43	35	18	M6	7	20	64	0,034
K0686.05002540	Shore 40A	66	56	50	33	M8	8	25	85	0,2

Cup elements type H2

Overview of items

Order No.	Version	A	B	D	D1	D2	D3	H	L	Load rating max. kN
K0686.07003540	Shore 40A	92	76	70	45	M10	10	35	114	0,39
K0686.08504040	Shore 40A	110	96	85	53	M10	11,5	40	136	0,68
K0686.09004540	Shore 40A	124	101	90	58	M10	11,5	45	151	1,28
K0686.13006340	Shore 40A	120	-	130	78	M12	14,5	63	150	2,7
K0686.18008540	Shore 40A	160	-	180	100	M16	14,5	85	200	3,7
K0686.03502060	Shore 60A	50	43	35	18	M6	7	20	64	0,09
K0686.05002560	Shore 60A	66	56	50	33	M8	8	25	85	0,49
K0686.07003560	Shore 60A	92	76	70	45	M10	10	35	114	0,78
K0686.08504060	Shore 60A	110	96	85	53	M10	11,5	40	136	1,45
K0686.09004560	Shore 60A	124	101	90	58	M10	11,5	45	151	2,15
K0686.13006360	Shore 60A	120	-	130	78	M12	14,5	63	150	4,9
K0686.18008560	Shore 60A	160	-	180	100	M16	14,5	85	200	7,35