

Press-in plugs with dipstick

Item description/product images



Description

Material:

Housing and cap thermoplastic polyamide 66.

Air filter polyurethane (PU foam).

Dipstick zinc.

O-ring NBR, Shore 70.

Version:

Housing black.

Cap red.

Filter mesh 50 µm.

Dipstick phosphated.

Temperature range:

Temperature resistant with oil up to 100°C.

On request:

Min-Max markings.

Drawing reference:

Form A: without vent

Form B: with vent

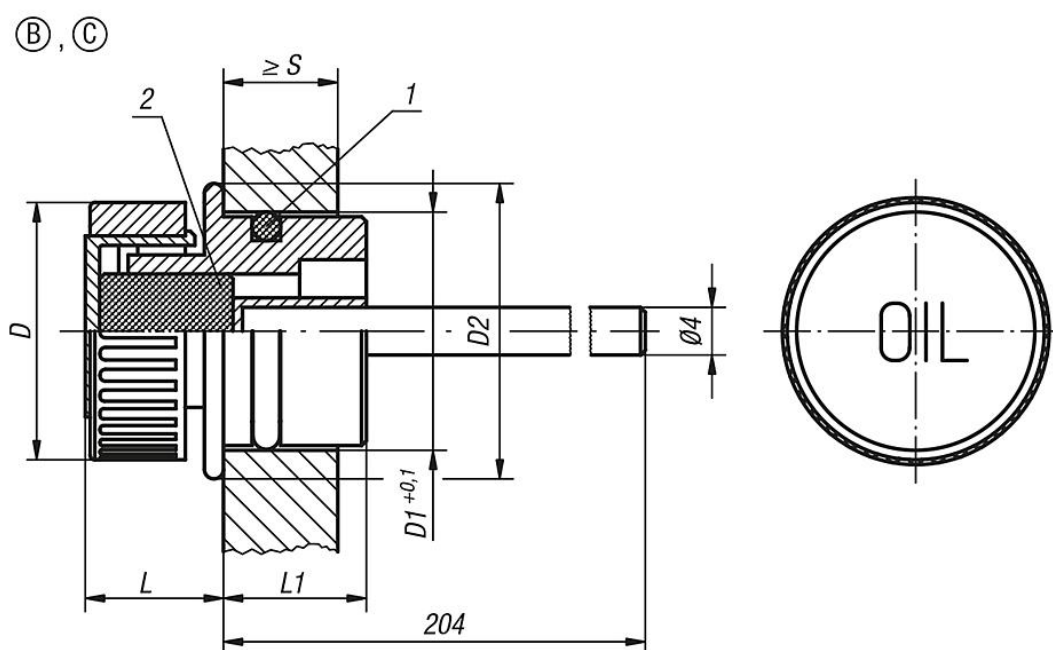
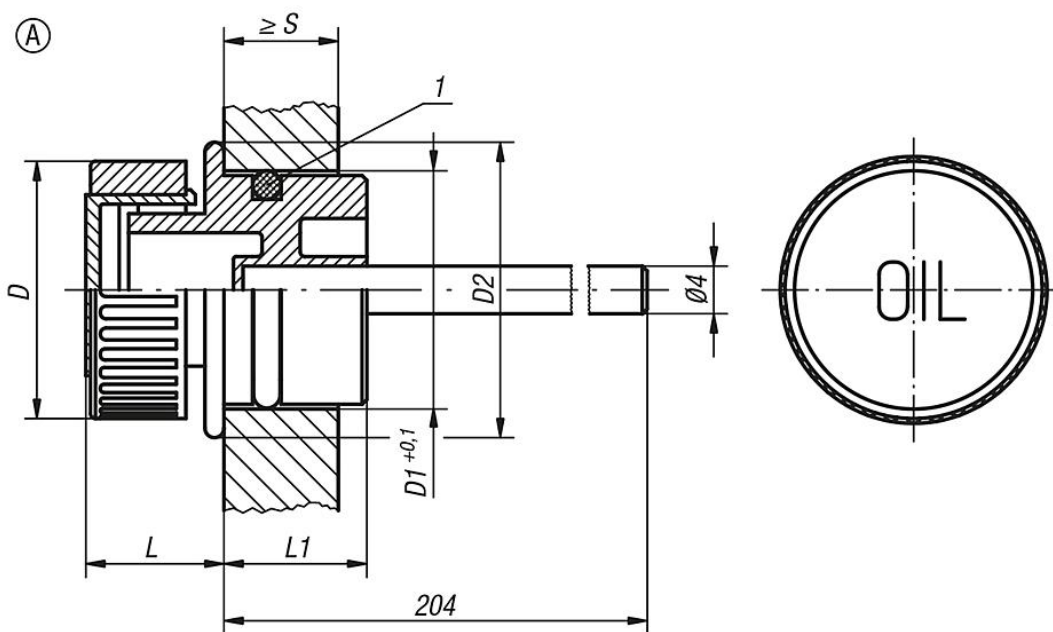
Form C: with vent and air filter

1) O-ring

2) air filter Form C only

Press-in plugs with dipstick

Drawings



Overview of items

Press-in plugs with dipstick

Order No. Form A	Order No. Form B	Order No. Form C	D	D1	D2	L	L1	S min.
K0462.13018	K0462.23018	K0462.33018	30	18	23	14	14	8