

Tubular handles

Item description/product images



Description

Material:

Grip aluminium EN AW-6060.
Legs polyamide glass-bead reinforced.
Bushing brass.
Clamping sleeves stainless steel.

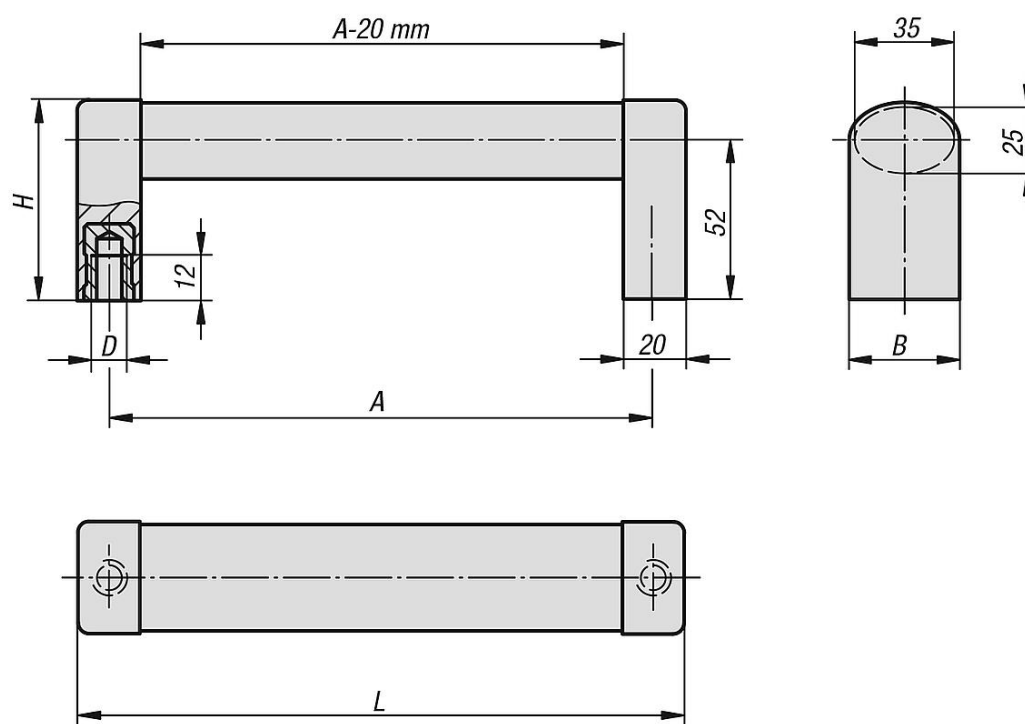
Version:

Grip natural colour or black anodised.
Legs aluminium colour or black.

Note:

Oval-profile handles for joining together. Version with plastic legs and aluminium oval grip.

Drawings



Overview of items

Tubular handles

Order No.	Main colour	Component colour	A	B	D	H	L	Load capacity N
K0211.1200081	natural	aluminium tone	200	36	M8	65	220	1000
K0211.1250081	natural	aluminium tone	250	36	M8	65	270	1000
K0211.1300081	natural	aluminium tone	300	36	M8	65	320	1000
K0211.1400081	natural	aluminium tone	400	36	M8	65	420	1000
K0211.1500081	natural	aluminium tone	500	36	M8	65	520	1000
K0211.1200082	natural	black	200	36	M8	65	220	1000

Tubular handles

Overview of items

Order No.	Main colour	Component colour	A	B	D	H	L	Load capacity N
K0211.1250082	natural	black	250	36	M8	65	270	1000
K0211.1300082	natural	black	300	36	M8	65	320	1000
K0211.1400082	natural	black	400	36	M8	65	420	1000
K0211.1500082	natural	black	500	36	M8	65	520	1000
K0211.1200083	black	black	200	36	M8	65	220	1000
K0211.1250083	black	black	250	36	M8	65	270	1000
K0211.1300083	black	black	300	36	M8	65	320	1000
K0211.1400083	black	black	400	36	M8	65	420	1000
K0211.1500083	black	black	500	36	M8	65	520	1000