

Handwheels disc aluminium

Item description/product images



Description

Material:

Disc handwheel aluminium.
 Cylinder grip black thermoset PF 31-DIN 7708.
 Hub electro zinc-plated steel.

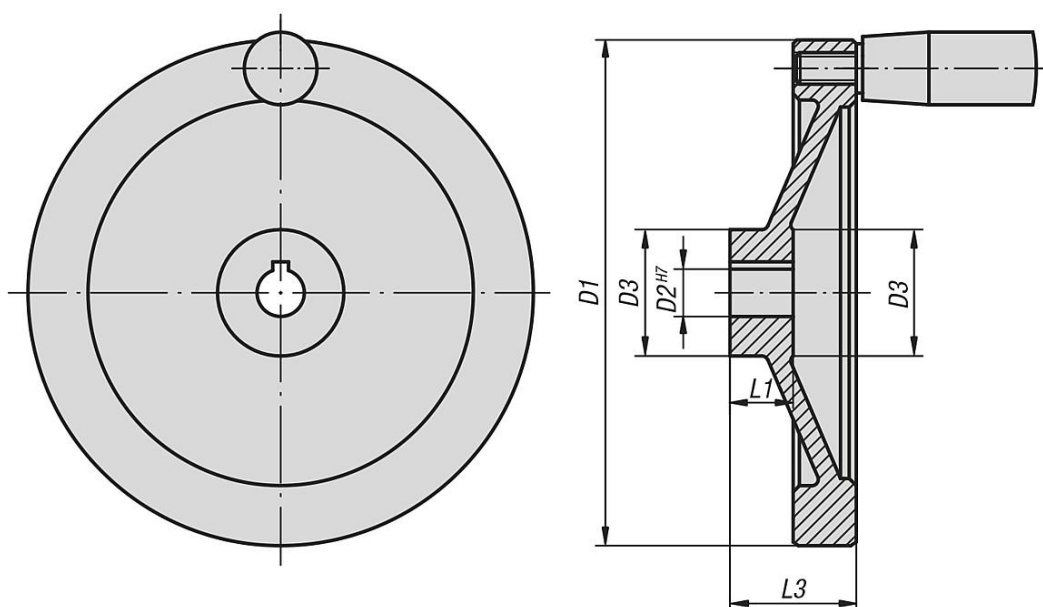
Version:

Wheel rim turned and polished.
 Radial and axial run-out of rim < IT 12.

On request:

Hubs with square socket or powder-coated handwheels.

Drawings



DIN 6885-1

Overview of items

Handwheels disc, aluminium, without grip

Order No.	Version	D1	D2	D3	L1	L3	B3	T	Fixed cylinder grip	Revolving cylinder grip
K0161.0080X10	reamed hole	80	10H7	26	16	31	-	-	-	-

Handwheels disc aluminium

Overview of items

Order No.	Version	D1	D2	D3	L1	L3	B3	T	Fixed cylinder grip	Revolving cylinder grip
K0161.0080X12	reamed hole	80	12H7	26	16	31	-	-	-	-
K0161.0100X10	reamed hole	100	10H7	31	17	34	-	-	-	-
K0161.0100X12	reamed hole	100	12H7	31	17	34	-	-	-	-
K0161.0125X12	reamed hole	125	12H7	30	18	37	-	-	-	-
K0161.0125X14	reamed hole	125	14H7	30	18	37	-	-	-	-
K0161.0140X14	reamed hole	140	14H7	34	19	34	-	-	-	-
K0161.0140X15	reamed hole	140	15H7	34	19	34	-	-	-	-
K0161.0160X15	reamed hole	160	15H7	40	20	40	-	-	-	-
K0161.0160X16	reamed hole	160	16H7	40	20	40	-	-	-	-
K0161.0200X18	reamed hole	200	18H7	50	24	46	-	-	-	-
K0161.0200X20	reamed hole	200	20H7	50	24	46	-	-	-	-
K0161.0250X22	reamed hole	250	22H7	50	28	49	-	-	-	-
K0161.0250X24	reamed hole	250	24H7	50	28	49	-	-	-	-
K0161.1080X10	reamed hole with slot	80	10H7	26	16	31	3	11,4	-	-
K0161.1080X12	reamed hole with slot	80	12H7	26	16	31	4	13,8	-	-
K0161.1100X10	reamed hole with slot	100	10H7	31	17	34	3	11,4	-	-
K0161.1100X12	reamed hole with slot	100	12H7	31	17	34	4	13,8	-	-
K0161.1125X12	reamed hole with slot	125	12H7	30	18	37	4	13,8	-	-
K0161.1125X14	reamed hole with slot	125	14H7	30	18	37	5	16,3	-	-
K0161.1140X14	reamed hole with slot	140	14H7	34	19	34	5	16,3	-	-
K0161.1140X15	reamed hole with slot	140	15H7	34	19	34	5	17,3	-	-
K0161.1160X15	reamed hole with slot	160	15H7	40	20	40	5	17,3	-	-
K0161.1160X16	reamed hole with slot	160	16H7	40	20	40	5	18,3	-	-
K0161.1200X18	reamed hole with slot	200	18H7	50	24	46	6	20,8	-	-
K0161.1200X20	reamed hole with slot	200	20H7	50	24	46	6	22,8	-	-
K0161.1250X22	reamed hole with slot	250	22H7	50	28	49	6	24,8	-	-
K0161.1250X24	reamed hole with slot	250	24H7	50	28	49	8	27,3	-	-
K0161.2080X10	reamed hole	80	10H7	26	16	31	-	-	ø18 x M6 x 40	-
K0161.2080X12	reamed hole	80	12H7	26	16	31	-	-	ø18 x M6 x 40	-
K0161.2100X10	reamed hole	100	10H7	31	17	34	-	-	ø18 x M6 x 40	-
K0161.2100X12	reamed hole	100	12H7	31	17	34	-	-	ø18 x M6 x 40	-
K0161.2125X12	reamed hole	125	12H7	30	18	37	-	-	ø21 x M8 x 50	-
K0161.2125X14	reamed hole	125	14H7	30	18	37	-	-	ø21 x M8 x 50	-
K0161.2140X14	reamed hole	140	14H7	34	19	34	-	-	ø21 x M8 x 50	-
K0161.2140X15	reamed hole	140	15H7	34	19	34	-	-	ø21 x M8 x 50	-
K0161.2160X15	reamed hole	160	15H7	40	20	40	-	-	ø26 x M10 x 80	-
K0161.2160X16	reamed hole	160	16H7	40	20	40	-	-	ø26 x M10 x 80	-
K0161.2200X18	reamed hole	200	18H7	50	24	46	-	-	ø26 x M10 x 80	-
K0161.2200X20	reamed hole	200	20H7	50	24	46	-	-	ø26 x M10 x 80	-
K0161.2250X22	reamed hole	250	22H7	50	28	49	-	-	ø28 x M12 x 90	-
K0161.2250X24	reamed hole	250	24H7	50	28	49	-	-	ø28 x M12 x 90	-
K0161.3080X10	reamed hole with slot	80	10H7	26	16	31	3	11,4	ø18 x M6 x 40	-
K0161.3080X12	reamed hole with slot	80	12H7	26	16	31	4	13,8	ø18 x M6 x 40	-
K0161.3100X10	reamed hole with slot	100	10H7	31	17	34	3	11,4	ø18 x M6 x 40	-
K0161.3100X12	reamed hole with slot	100	12H7	31	17	34	4	13,8	ø18 x M6 x 40	-
K0161.3125X12	reamed hole with slot	125	12H7	30	18	37	4	13,8	ø21 x M8 x 50	-
K0161.3125X14	reamed hole with slot	125	14H7	30	18	37	5	16,3	ø21 x M8 x 50	-
K0161.3140X14	reamed hole with slot	140	14H7	34	19	34	5	16,3	ø21 x M8 x 50	-
K0161.3140X15	reamed hole with slot	140	15H7	34	19	34	5	17,3	ø21 x M8 x 50	-
K0161.3160X15	reamed hole with slot	160	15H7	40	20	40	5	17,3	ø26 x M10 x 80	-
K0161.3160X16	reamed hole with slot	160	16H7	40	20	40	5	18,3	ø26 x M10 x 80	-
K0161.3200X18	reamed hole with slot	200	18H7	50	24	46	6	20,8	ø26 x M10 x 80	-
K0161.3200X20	reamed hole with slot	200	20H7	50	24	46	6	22,8	ø26 x M10 x 80	-
K0161.3250X22	reamed hole with slot	250	22H7	50	28	49	6	24,8	ø28 x M12 x 90	-
K0161.3250X24	reamed hole with slot	250	24H7	50	28	49	8	27,3	ø28 x M12 x 90	-
K0161.4080X10	reamed hole	80	10H7	26	16	31	-	-	-	ø18 x M6 x 40
K0161.4080X12	reamed hole	80	12H7	26	16	31	-	-	-	ø18 x M6 x 40
K0161.4100X10	reamed hole	100	10H7	31	17	34	-	-	-	ø18 x M6 x 40
K0161.4100X12	reamed hole	100	12H7	31	17	34	-	-	-	ø18 x M6 x 40
K0161.4125X12	reamed hole	125	12H7	30	18	37	-	-	-	ø22 x M8 x 56
K0161.4125X14	reamed hole	125	14H7	30	18	37	-	-	-	ø22 x M8 x 56

Handwheels disc aluminium

Overview of items

Order No.	Version	D1	D2	D3	L1	L3	B3	T	Fixed cylinder grip	Revolving cylinder grip
K0161.4140X14	reamed hole	140	14H7	34	19	34	-	-	-	ø22 x M8 x 56
K0161.4140X15	reamed hole	140	15H7	34	19	34	-	-	-	ø22 x M8 x 56
K0161.4160X15	reamed hole	160	15H7	40	20	40	-	-	-	ø26 x M10 x 80
K0161.4160X16	reamed hole	160	16H7	40	20	40	-	-	-	ø26 x M10 x 80
K0161.4200X18	reamed hole	200	18H7	50	24	46	-	-	-	ø26 x M10 x 80
K0161.4200X20	reamed hole	200	20H7	50	24	46	-	-	-	ø26 x M10 x 80
K0161.4250X22	reamed hole	250	22H7	50	28	49	-	-	-	ø31 x M12 x 102
K0161.4250X24	reamed hole	250	24H7	50	28	49	-	-	-	ø31 x M12 x 102
K0161.5080X10	reamed hole with slot	80	10H7	26	16	31	3	11,4	-	ø18 x M6 x 40
K0161.5080X12	reamed hole with slot	80	12H7	26	16	31	4	13,8	-	ø18 x M6 x 40
K0161.5100X10	reamed hole with slot	100	10H7	31	17	34	3	11,4	-	ø18 x M6 x 40
K0161.5100X12	reamed hole with slot	100	12H7	31	17	34	4	13,8	-	ø18 x M6 x 40
K0161.5125X12	reamed hole with slot	125	12H7	30	18	37	4	13,8	-	ø22 x M8 x 56
K0161.5125X14	reamed hole with slot	125	14H7	30	18	37	5	16,3	-	ø22 x M8 x 56
K0161.5140X14	reamed hole with slot	140	14H7	34	19	34	5	16,3	-	ø22 x M8 x 56
K0161.5140X15	reamed hole with slot	140	15H7	34	19	34	5	17,3	-	ø22 x M8 x 56
K0161.5160X15	reamed hole with slot	160	15H7	40	20	40	5	17,3	-	ø26 x M10 x 80
K0161.5160X16	reamed hole with slot	160	16H7	40	20	40	5	18,3	-	ø26 x M10 x 80
K0161.5200X18	reamed hole with slot	200	18H7	50	24	46	6	20,8	-	ø26 x M10 x 80
K0161.5200X20	reamed hole with slot	200	20H7	50	24	46	6	22,8	-	ø26 x M10 x 80
K0161.5250X22	reamed hole with slot	250	22H7	50	28	49	6	24,8	-	ø31 x M12 x 102
K0161.5250X24	reamed hole with slot	250	24H7	50	28	49	8	27,3	-	ø31 x M12 x 102

Handwheels disc, aluminium, with revolving cylinder grip

Order No. reamed hole	Order No. reamed hole with slot	D1	D2	D3	L1	L3	B3	T	Revolving cylinder grip
K0161.4080X10	K0161.5080X10	80	10H7	26	16	31	-/3	-/11,4	ø18 x M6 x 40
K0161.4080X12	K0161.5080X12	80	12H7	26	16	31	-/4	-/13,8	ø18 x M6 x 40
K0161.4100X10	K0161.5100X10	100	10H7	31	17	34	-/3	-/11,4	ø18 x M6 x 40
K0161.4100X12	K0161.5100X12	100	12H7	31	17	34	-/4	-/13,8	ø18 x M6 x 40
K0161.4125X12	K0161.5125X12	125	12H7	30	18	37	-/4	-/13,8	ø22 x M8 x 56
K0161.4125X14	K0161.5125X14	125	14H7	30	18	37	-/5	-/16,3	ø22 x M8 x 56
K0161.4140X14	K0161.5140X14	140	14H7	34	19	34	-/5	-/16,3	ø22 x M8 x 56
K0161.4140X15	K0161.5140X15	140	15H7	34	19	34	-/5	-/17,3	ø22 x M8 x 56
K0161.4160X15	K0161.5160X15	160	15H7	40	20	40	-/5	-/17,3	ø26 x M10 x 80
K0161.4160X16	K0161.5160X16	160	16H7	40	20	40	-/5	-/18,3	ø26 x M10 x 80
K0161.4200X18	K0161.5200X18	200	18H7	50	24	46	-/6	-/20,8	ø26 x M10 x 80
K0161.4200X20	K0161.5200X20	200	20H7	50	24	46	-/6	-/22,8	ø26 x M10 x 80
K0161.4250X22	K0161.5250X22	250	22H7	50	28	49	-/6	-/24,8	ø31 x M12 x 102
K0161.4250X24	K0161.5250X24	250	24H7	50	28	49	-/8	-/27,3	ø31 x M12 x 102