

Key rings

Item description/product images



Description

Material:

Stainless steel 1.4310.

Version:

Bright.

Note:

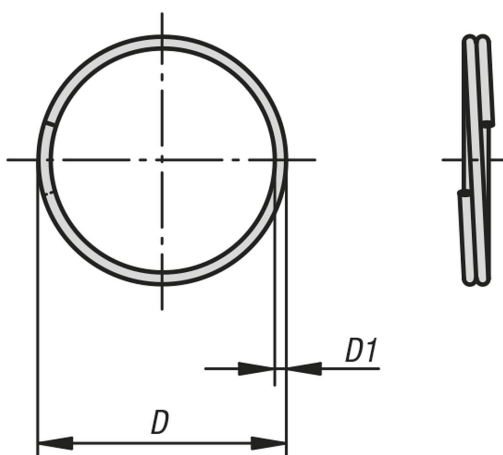
Suitable for retaining cable with loop K0367.

Ball lock pins K0363, K0364, K0641, K0366, K0642, K0790, K0791.

Locking pins K0365.

Indexing plungers K0342, K0635, K0636.

Drawings



Overview of items

Key rings

Order No.	D	D1
K0367.15	15	1.0
K0367.19	19	1.0
K0367.23	23	1.2
K0367.28	28	1.7