

Mushroom knobs male thread with low head for Hygienic USIT® sealing and shim washer Freudenberg Process Seals

Item description/product images



Description

Material:

Steel parts stainless steel 1.4404.

Version:

High-gloss polished.

Note:

The low head makes the mushroom knob ideal for manual lateral movements. The complete surface is polished to a high gloss with a surface finish of much less than $Ra\ 0.8\ \mu m$. The contour is produced with generous radii and transitions. It doesn't matter in which position the mushroom knob is mounted, dirt and residue from products or cleaners seldom adheres. Easy cleaning is ensured. The Hygienic USIT® sealing and shim washers from Freudenberg Process are used to seal the screw-on point. The shaft of the mushroom knob is specially designed to suit this seal. An almost cavity-free seal of the screw-on point is created which satisfies hygienic regulations.

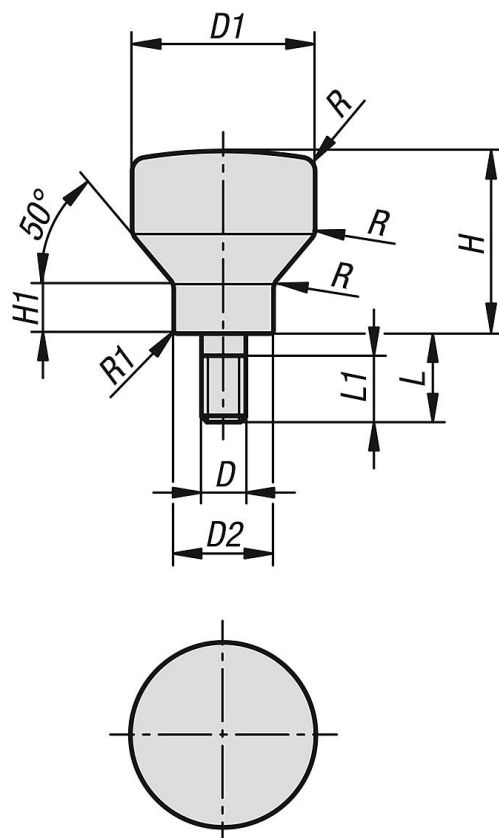
On request:

Inch threads, thread lengths, form variations.

Accessory:

Hygienic USIT® sealing and shim washer K1326 for the screw-on surface.

Drawings



Mushroom knobs male thread with low head for Hygienic USIT® sealing and shim washer Freudenberg Process Seals

Overview of items

Mushroom knobs male thread, with low head, for Hygienic USIT® sealing and shim washer

Order No.	D	D1	D2	H	H1	L	L1	R	R1
K1311.2004X8	M4	20	10,8	19	3,5	8	7	3	0,45
K1311.2105X10	M5	21	11,8	21	5,5	10	9	3	0,5
K1311.2506X12	M6	25	14,2	25	7	12	11	3	0,55
K1311.3308X16	M8	33	18	33	9	16	15	4	0,7
K1311.4010X20	M10	40	22,3	40	11,5	20	19	4	0,8