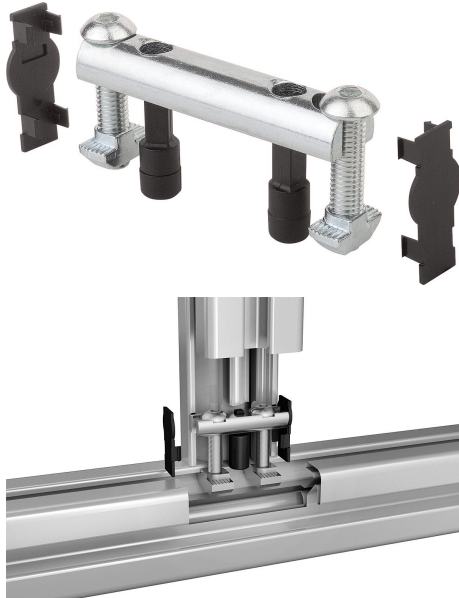


Pin connector sets Type B

Item description/product images



Description

Material:

Pins, screws and T-nuts steel.

Locating pin and end caps polyamide, fibreglass reinforced.

Version:

Pins, screws and T-nuts electro zinc-plated.

Locating pin and end caps black.

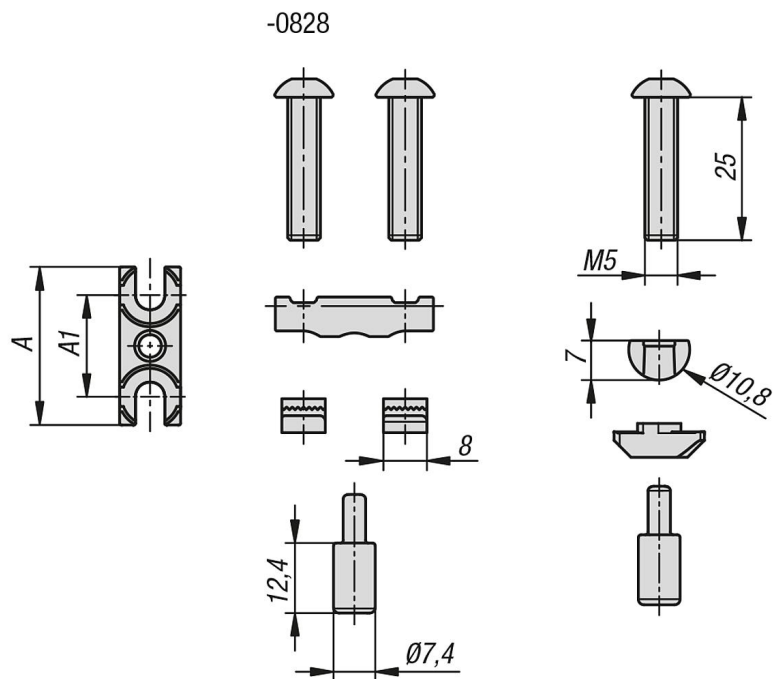
Note:

The connecting sets are used to connect two aluminium profiles at right angles. They allow free position of the profiles. Suitable for high loads and torsional forces.

Low processing workload. The connecting set requires only one $\varnothing 17$ mm hole drilled in one end for installation.

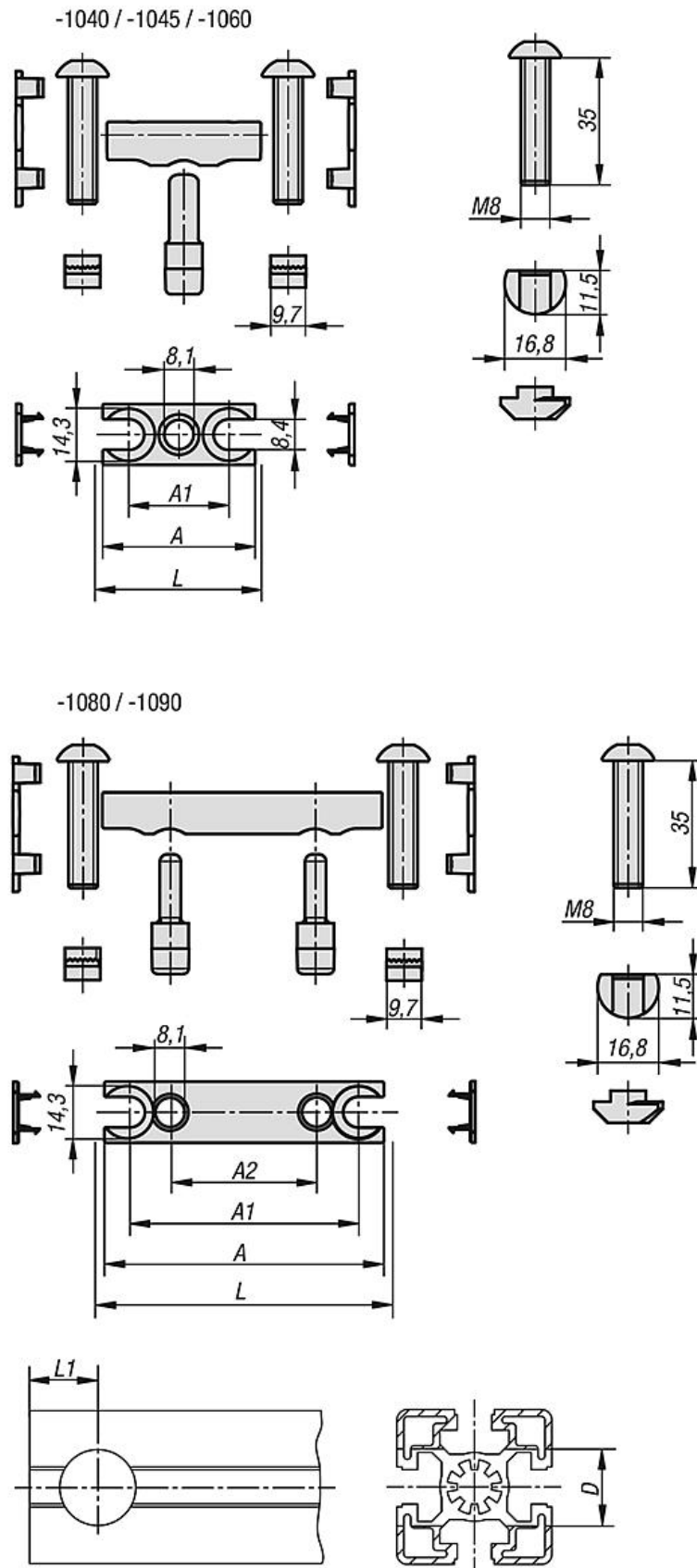
The connecting set K1038.0828 requires only one $\varnothing 11$ mm hole drilled in one end for installation.

Drawings



Pin connector sets Type B

Drawings



Pin connector sets Type B

Overview of items

Pin connector sets Type B

Order No.	Type	Slot width	A	A1	A2	D	L	L1
K1038.0828	B	8	28	18	-	11	-	18
K1038.1040	B	10	37	23	-	17	40	22,5
K1038.1045	B	10	42	28	-	17	45	22,5
K1038.1060	B	10	57	43	-	17	60	22,5
K1038.1080	B	10	77	63	40	17	80	22,5
K1038.1090	B	10	87	73	45	17	90	22,5