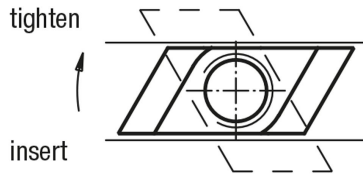


Nuts for T-slots rhombic form

Item description/product images



Description

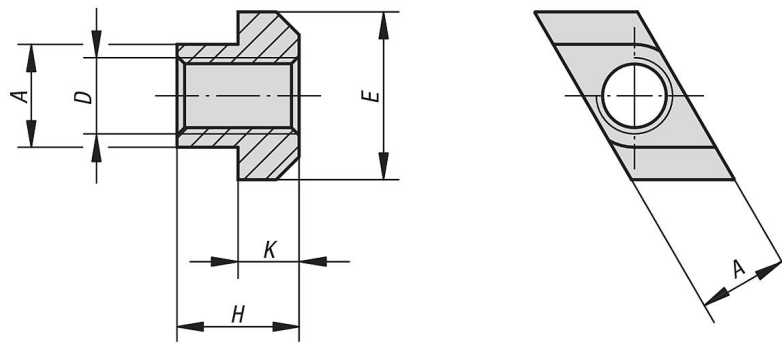
Material:
Carbon steel.

Version:
Tempered to 8 and black oxidised.

Note:
The benefit of rhombic nuts for T-slots is that they can be fitted in the slot from the top. They are particularly useful for long T-slots, or when the configuration on the machine table does not permit clamping screws or nuts for T-slots to be inserted from the side.

Application:
Insert from above then twist in the slot until it stops.

Drawings



Overview of items

Nuts for T-slots, rhombic form

Order No.	Slot width	D	A	E	H	K
K0379.105	6	M5	5,6	10	8	4
K0379.106	8	M6	7,6	13	10	6
K0379.108	10	M8	9,7	15	12	6
K0379.110	12	M10	11,7	18	14	7
K0379.210	14	M10	13,5	22	16	8
K0379.310	18	M10	17,5	28	20	10
K0379.112	14	M12	13,7	22	16	8
K0379.114	16	M14	15,7	25	18	9
K0379.116	18	M16	17,7	28	20	10
K0379.216	20	M16	19,7	32	24	12
K0379.316	22	M16	21,5	35	28	14
K0379.416	28	M16	27,5	44	36	18
K0379.118	20	M18	19,7	32	24	12
K0379.120	22	M20	21,7	35	28	14
K0379.124	28	M24	27,7	44	36	18
K0379.130	36	M30	35,6	54	44	22
K0379.136	42	M36	41,5	65	52	26