

## Socket head screws with low head DIN 6912

### Item description/product images



### Description

#### Material:

Steel or stainless steel (A 2)

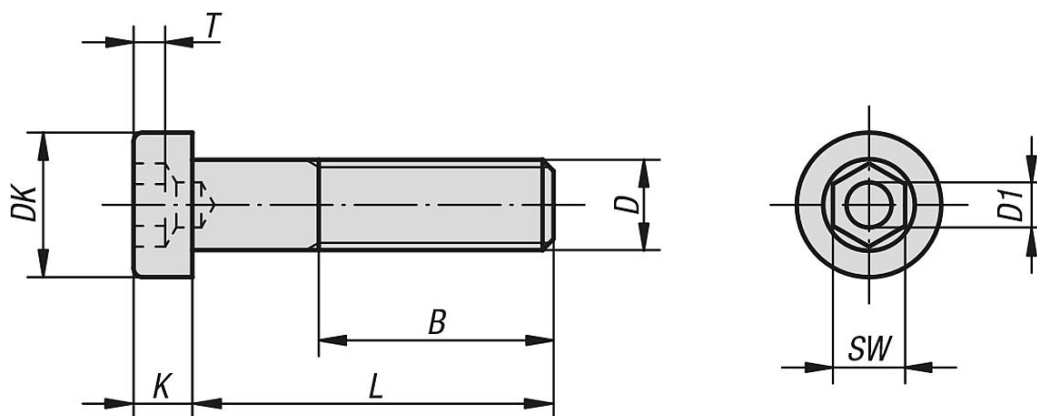
#### Version:

Steel grade 8.8, black or electro zinc-plated.

Steel grade 10.9, black.

Stainless steel A 2-70, bright.

### Drawings



### Overview of items

Order No.	Material	Main colour	Grade	D	L	B	DK	K	D1	SW	T
K1160.04X10	steel	black	8.8	M4	10	6,5	7	2,8	2	3	1,48
K1160.04X12	steel	black	8.8	M4	12	8,5	7	2,8	2	3	1,48
K1160.04X16	steel	black	8.8	M4	16	12,5	7	2,8	2	3	1,48
K1160.04X20	steel	black	8.8	M4	20	14	7	2,8	2	3	1,48
K1160.04X25	steel	black	8.8	M4	25	14	7	2,8	2	3	1,48
K1160.05X10	steel	black	8.8	M5	10	5,8	8,5	3,5	2,5	4	1,88
K1160.05X12	steel	black	8.8	M5	12	7,8	8,5	3,5	2,5	4	1,88
K1160.05X16	steel	black	8.8	M5	16	11,8	8,5	3,5	2,5	4	1,88
K1160.05X20	steel	black	8.8	M5	20	15,8	8,5	3,5	2,5	4	1,88
K1160.05X25	steel	black	8.8	M5	25	16	8,5	3,5	2,5	4	1,88
K1160.05X30	steel	black	8.8	M5	30	16	8,5	3,5	2,5	4	1,88
K1160.06X10	steel	black	8.8	M6	10	4,5	10	4	3	5	2,38

## Socket head screws with low head DIN 6912

### Overview of items

Order No.	Material	Main colour	Grade	D	L	B	DK	K	D1	SW	T
K1160.06X12	steel	black	8.8	M6	12	6,5	10	4	3	5	2,38
K1160.06X16	steel	black	8.8	M6	16	10,5	10	4	3	5	2,38
K1160.06X20	steel	black	8.8	M6	20	14,5	10	4	3	5	2,38
K1160.06X25	steel	black	8.8	M6	25	19,5	10	4	3	5	2,38
K1160.06X30	steel	black	8.8	M6	30	18	10	4	3	5	2,38
K1160.06X35	steel	black	8.8	M6	35	18	10	4	3	5	2,38
K1160.06X40	steel	black	8.8	M6	40	18	10	4	3	5	2,38
K1160.06X45	steel	black	8.8	M6	45	18	10	4	3	5	2,38
K1160.06X50	steel	black	8.8	M6	50	18	10	4	3	5	2,38
K1160.06X60	steel	black	8.8	M6	60	18	10	4	3	5	2,38
K1160.08X10	steel	black	8.8	M8	10	4	13	5	4	6	2,88
K1160.08X12	steel	black	8.8	M8	12	5	13	5	4	6	2,88
K1160.08X16	steel	black	8.8	M8	16	9	13	5	4	6	2,88
K1160.08X20	steel	black	8.8	M8	20	13	13	5	4	6	2,88
K1160.08X25	steel	black	8.8	M8	25	22	13	5	4	6	2,88
K1160.308X25	steel	black	10.9	M8	25	22	13	5	4	6	2,88
K1160.08X30	steel	black	8.8	M8	30	22	13	5	4	6	2,88
K1160.08X35	steel	black	8.8	M8	35	22	13	5	4	6	2,88
K1160.08X40	steel	black	8.8	M8	40	22	13	5	4	6	2,88
K1160.08X45	steel	black	8.8	M8	45	22	13	5	4	6	2,88
K1160.08X50	steel	black	8.8	M8	50	22	13	5	4	6	2,88
K1160.08X60	steel	black	8.8	M8	60	22	13	5	4	6	2,88
K1160.08X70	steel	black	8.8	M8	70	22	13	5	4	6	2,88
K1160.08X80	steel	black	8.8	M8	80	22	13	5	4	6	2,88
K1160.10X100	steel	black	8.8	M10	100	26	16	6,5	5	8	3,35
K1160.10X20	steel	black	8.8	M10	20	12	16	6,5	5	8	3,35
K1160.10X25	steel	black	8.8	M10	25	17	16	6,5	5	8	3,35
K1160.10X30	steel	black	8.8	M10	30	22	16	6,5	5	8	3,35
K1160.310X30	steel	black	10.9	M10	30	22	16	6,5	5	8	3,35
K1160.10X35	steel	black	8.8	M10	35	27	16	6,5	5	8	3,35
K1160.10X40	steel	black	8.8	M10	40	26	16	6,5	5	8	3,35
K1160.10X45	steel	black	8.8	M10	45	26	16	6,5	5	8	3,35
K1160.10X50	steel	black	8.8	M10	50	26	16	6,5	5	8	3,35
K1160.10X60	steel	black	8.8	M10	60	26	16	6,5	5	8	3,35
K1160.10X70	steel	black	8.8	M10	70	26	16	6,5	5	8	3,35
K1160.10X80	steel	black	8.8	M10	80	26	16	6,5	5	8	3,35
K1160.10X90	steel	black	8.8	M10	90	26	16	6,5	5	8	3,35
K1160.12X100	steel	black	8.8	M12	100	30	18	7,5	6	10	3,85
K1160.12X110	steel	black	8.8	M12	110	30	18	7,5	6	10	3,85
K1160.12X120	steel	black	8.8	M12	120	30	18	7,5	6	10	3,85
K1160.12X20	steel	black	8.8	M12	20	10,5	18	7,5	6	10	3,85
K1160.12X25	steel	black	8.8	M12	25	15,5	18	7,5	6	10	3,85
K1160.12X30	steel	black	8.8	M12	30	20,5	18	7,5	6	10	3,85
K1160.312X30	steel	black	10.9	M12	30	20,5	18	7,5	6	10	3,85
K1160.12X35	steel	black	8.8	M12	35	25,5	18	7,5	6	10	3,85
K1160.12X40	steel	black	8.8	M12	40	30,5	18	7,5	6	10	3,85
K1160.312X40	steel	black	10.9	M12	40	30,5	18	7,5	6	10	3,85
K1160.12X45	steel	black	8.8	M12	45	30	18	7,5	6	10	3,85
K1160.12X50	steel	black	8.8	M12	50	30	18	7,5	6	10	3,85
K1160.12X60	steel	black	8.8	M12	60	30	18	7,5	6	10	3,85
K1160.12X70	steel	black	8.8	M12	70	30	18	7,5	6	10	3,85
K1160.12X80	steel	black	8.8	M12	80	30	18	7,5	6	10	3,85
K1160.12X90	steel	black	8.8	M12	90	30	18	7,5	6	10	3,85
K1160.16X100	steel	black	8.8	M16	100	38	24	10	8	14	5,35
K1160.16X110	steel	black	8.8	M16	110	38	24	10	8	14	5,35
K1160.16X120	steel	black	8.8	M16	120	38	24	10	8	14	5,35
K1160.16X30	steel	black	8.8	M16	30	19	24	10	8	14	5,35
K1160.16X35	steel	black	8.8	M16	35	24	24	10	8	14	5,35
K1160.16X40	steel	black	8.8	M16	40	38	24	10	8	14	5,35
K1160.316X40	steel	black	10.9	M16	40	38	24	10	8	14	5,35
K1160.16X45	steel	black	8.8	M16	45	38	24	10	8	14	5,35
K1160.16X50	steel	black	8.8	M16	50	38	24	10	8	14	5,35

## Socket head screws with low head DIN 6912

### Overview of items

Order No.	Material	Main colour	Grade	D	L	B	DK	K	D1	SW	T
K1160.16X60	steel	black	8.8	M16	60	38	24	10	8	14	5,35
K1160.316X60	steel	black	10.9	M16	60	38	24	10	8	14	5,35
K1160.16X70	steel	black	8.8	M16	70	38	24	10	8	14	5,35
K1160.16X80	steel	black	8.8	M16	80	38	24	10	8	14	5,35
K1160.16X90	steel	black	8.8	M16	90	38	24	10	8	14	5,35
K1160.20X100	steel	black	8.8	M20	100	46	30	12	10	17	6,32
K1160.20X110	steel	black	8.8	M20	110	46	30	12	10	17	6,32
K1160.20X120	steel	black	8.8	M20	120	46	30	12	10	17	6,32
K1160.20X40	steel	black	8.8	M20	40	26	30	12	10	17	6,32
K1160.20X45	steel	black	8.8	M20	45	26	30	12	10	17	6,32
K1160.20X50	steel	black	8.8	M20	50	36	30	12	10	17	6,32
K1160.20X60	steel	black	8.8	M20	60	46	30	12	10	17	6,32
K1160.20X70	steel	black	8.8	M20	70	46	30	12	10	17	6,32
K1160.20X80	steel	black	8.8	M20	80	46	30	12	10	17	6,32
K1160.20X90	steel	black	8.8	M20	90	46	30	12	10	17	6,32
K1160.316X35	steel	black	10.9	M16	35	24	24	10	8	14	5,35
K1160.404X16	steel	galvanised	8.8	M4	16	12,5	7	2,8	2	3	1,48
K1160.404X10	steel	galvanised	8.8	M4	10	6,5	7	2,8	2	3	1,48
K1160.404X12	steel	galvanised	8.8	M4	12	8,5	7	2,8	2	3	1,48
K1160.404X20	steel	galvanised	8.8	M4	20	14	7	2,8	2	3	1,48
K1160.404X25	steel	galvanised	8.8	M4	25	14	7	2,8	2	3	1,48
K1160.405X10	steel	galvanised	8.8	M5	10	5,8	8,5	3,5	2,5	4	1,88
K1160.405X12	steel	galvanised	8.8	M5	12	7,8	8,5	3,5	2,5	4	1,88
K1160.405X16	steel	galvanised	8.8	M5	16	11,8	8,5	3,5	2,5	4	1,88
K1160.405X20	steel	galvanised	8.8	M5	20	15,8	8,5	3,5	2,5	4	1,88
K1160.405X25	steel	galvanised	8.8	M5	25	16	8,5	3,5	2,5	4	1,88
K1160.405X30	steel	galvanised	8.8	M5	30	16	8,5	3,5	2,5	4	1,88
K1160.406X10	steel	galvanised	8.8	M6	10	4,5	10	4	3	5	2,38
K1160.406X12	steel	galvanised	8.8	M6	12	6,5	10	4	3	5	2,38
K1160.406X16	steel	galvanised	8.8	M6	16	10,5	10	4	3	5	2,38
K1160.406X20	steel	galvanised	8.8	M6	20	14,5	10	4	3	5	2,38
K1160.406X25	steel	galvanised	8.8	M6	25	19,5	10	4	3	5	2,38
K1160.406X30	steel	galvanised	8.8	M6	30	18	10	4	3	5	2,38
K1160.406X35	steel	galvanised	8.8	M6	35	18	10	4	3	5	2,38
K1160.406X40	steel	galvanised	8.8	M6	40	18	10	4	3	5	2,38
K1160.406X45	steel	galvanised	8.8	M6	45	18	10	4	3	5	2,38
K1160.406X50	steel	galvanised	8.8	M6	50	18	10	4	3	5	2,38
K1160.406X60	steel	galvanised	8.8	M6	60	18	10	4	3	5	2,38
K1160.408X10	steel	galvanised	8.8	M8	10	4	13	5	4	6	2,88
K1160.408X12	steel	galvanised	8.8	M8	12	5	13	5	4	6	2,88
K1160.408X16	steel	galvanised	8.8	M8	16	9	13	5	4	6	2,88
K1160.408X20	steel	galvanised	8.8	M8	20	13	13	5	4	6	2,88
K1160.408X25	steel	galvanised	8.8	M8	25	22	13	5	4	6	2,88
K1160.408X30	steel	galvanised	8.8	M8	30	22	13	5	4	6	2,88
K1160.408X35	steel	galvanised	8.8	M8	35	22	13	5	4	6	2,88
K1160.408X40	steel	galvanised	8.8	M8	40	22	13	5	4	6	2,88
K1160.408X45	steel	galvanised	8.8	M8	45	22	13	5	4	6	2,88
K1160.408X50	steel	galvanised	8.8	M8	50	22	13	5	4	6	2,88
K1160.408X60	steel	galvanised	8.8	M8	60	22	13	5	4	6	2,88
K1160.408X70	steel	galvanised	8.8	M8	70	22	13	5	4	6	2,88
K1160.408X80	steel	galvanised	8.8	M8	80	22	13	5	4	6	2,88
K1160.410X20	steel	galvanised	8.8	M10	20	12	16	6,5	5	8	3,35
K1160.410X25	steel	galvanised	8.8	M10	25	17	16	6,5	5	8	3,35
K1160.410X30	steel	galvanised	8.8	M10	30	22	16	6,5	5	8	3,35
K1160.410X35	steel	galvanised	8.8	M10	35	27	16	6,5	5	8	3,35
K1160.410X40	steel	galvanised	8.8	M10	40	26	16	6,5	5	8	3,35
K1160.410X45	steel	galvanised	8.8	M10	45	26	16	6,5	5	8	3,35
K1160.410X50	steel	galvanised	8.8	M10	50	26	16	6,5	5	8	3,35
K1160.410X60	steel	galvanised	8.8	M10	60	26	16	6,5	5	8	3,35
K1160.410X70	steel	galvanised	8.8	M10	70	26	16	6,5	5	8	3,35
K1160.410X80	steel	galvanised	8.8	M10	80	26	16	6,5	5	8	3,35
K1160.410X90	steel	galvanised	8.8	M10	90	26	16	6,5	5	8	3,35

## Socket head screws with low head DIN 6912

### Overview of items

Order No.	Material	Main colour	Grade	D	L	B	DK	K	D1	SW	T
K1160.410X100	steel	galvanised	8.8	M10	100	26	16	6,5	5	8	3,35
K1160.412X20	steel	galvanised	8.8	M12	20	10,5	18	7,5	6	10	3,85
K1160.412X25	steel	galvanised	8.8	M12	25	15,5	18	7,5	6	10	3,85
K1160.412X30	steel	galvanised	8.8	M12	30	20,5	18	7,5	6	10	3,85
K1160.412X35	steel	galvanised	8.8	M12	35	25,5	18	7,5	6	10	3,85
K1160.412X40	steel	galvanised	8.8	M12	40	30,5	18	7,5	6	10	3,85
K1160.412X45	steel	galvanised	8.8	M12	45	30	18	7,5	6	10	3,85
K1160.412X50	steel	galvanised	8.8	M12	50	30	18	7,5	6	10	3,85
K1160.412X60	steel	galvanised	8.8	M12	60	30	18	7,5	6	10	3,85
K1160.412X70	steel	galvanised	8.8	M12	70	30	18	7,5	6	10	3,85
K1160.412X80	steel	galvanised	8.8	M12	80	30	18	7,5	6	10	3,85
K1160.412X90	steel	galvanised	8.8	M12	90	30	18	7,5	6	10	3,85
K1160.412X100	steel	galvanised	8.8	M12	100	30	18	7,5	6	10	3,85
K1160.412X110	steel	galvanised	8.8	M12	110	30	18	7,5	6	10	3,85
K1160.412X120	steel	galvanised	8.8	M12	120	30	18	7,5	6	10	3,85
K1160.416X30	steel	galvanised	8.8	M16	30	19	24	10	8	14	5,35
K1160.416X35	steel	galvanised	8.8	M16	35	24	24	10	8	14	5,35
K1160.416X40	steel	galvanised	8.8	M16	40	38	24	10	8	14	5,35
K1160.416X45	steel	galvanised	8.8	M16	45	38	24	10	8	14	5,35
K1160.416X50	steel	galvanised	8.8	M16	50	38	24	10	8	14	5,35
K1160.416X60	steel	galvanised	8.8	M16	60	38	24	10	8	14	5,35
K1160.416X70	steel	galvanised	8.8	M16	70	38	24	10	8	14	5,35
K1160.416X80	steel	galvanised	8.8	M16	80	38	24	10	8	14	5,35
K1160.416X90	steel	galvanised	8.8	M16	90	38	24	10	8	14	5,35
K1160.416X100	steel	galvanised	8.8	M16	100	38	24	10	8	14	5,35
K1160.416X110	steel	galvanised	8.8	M16	110	38	24	10	8	14	5,35
K1160.416X120	steel	galvanised	8.8	M16	120	38	24	10	8	14	5,35
K1160.420X40	steel	galvanised	8.8	M20	40	26	30	12	10	17	6,32
K1160.420X45	steel	galvanised	8.8	M20	45	26	30	12	10	17	6,32
K1160.420X50	steel	galvanised	8.8	M20	50	36	30	12	10	17	6,32
K1160.420X60	steel	galvanised	8.8	M20	60	46	30	12	10	17	6,32
K1160.420X70	steel	galvanised	8.8	M20	70	46	30	12	10	17	6,32
K1160.420X80	steel	galvanised	8.8	M20	80	46	30	12	10	17	6,32
K1160.420X90	steel	galvanised	8.8	M20	90	46	30	12	10	17	6,32
K1160.420X100	steel	galvanised	8.8	M20	100	46	30	12	10	17	6,32
K1160.420X110	steel	galvanised	8.8	M20	110	46	30	12	10	17	6,32
K1160.420X120	steel	galvanised	8.8	M20	120	46	30	12	10	17	6,32
K1160.306X10	steel	black	10.9	M6	10	4,5	10	4	3	5	2,38
K1160.306X12	steel	black	10.9	M6	12	6,5	10	4	3	5	2,38
K1160.306X16	steel	black	10.9	M6	16	10,5	10	4	3	5	2,38
K1160.306X20	steel	black	10.9	M6	20	14,5	10	4	3	5	2,38
K1160.306X25	steel	black	10.9	M6	25	19,5	10	4	3	5	2,38
K1160.306X30	steel	black	10.9	M6	30	18	10	4	3	5	2,38
K1160.306X35	steel	black	10.9	M6	35	18	10	4	3	5	2,38
K1160.306X40	steel	black	10.9	M6	40	18	10	4	3	5	2,38
K1160.308X16	steel	black	10.9	M8	16	9	13	5	4	6	2,88
K1160.308X20	steel	black	10.9	M8	20	13	13	5	4	6	2,88
K1160.308X30	steel	black	10.9	M8	30	22	13	5	4	6	2,88
K1160.308X35	steel	black	10.9	M8	35	22	13	5	4	6	2,88
K1160.308X40	steel	black	10.9	M8	40	22	13	5	4	6	2,88
K1160.308X45	steel	black	10.9	M8	45	22	13	5	4	6	2,88
K1160.308X50	steel	black	10.9	M8	50	22	13	5	4	6	2,88
K1160.308X60	steel	black	10.9	M8	60	22	13	5	4	6	2,88
K1160.310X20	steel	black	10.9	M10	20	12	16	6,5	5	8	3,35
K1160.310X25	steel	black	10.9	M10	25	17	16	6,5	5	8	3,35
K1160.310X35	steel	black	10.9	M10	35	27	16	6,5	5	8	3,35
K1160.310X40	steel	black	10.9	M10	40	26	16	6,5	5	8	3,35
K1160.310X45	steel	black	10.9	M10	45	26	16	6,5	5	8	3,35
K1160.310X50	steel	black	10.9	M10	50	26	16	6,5	5	8	3,35
K1160.310X60	steel	black	10.9	M10	60	26	16	6,5	5	8	3,35
K1160.312X25	steel	black	10.9	M12	25	15,5	18	7,5	6	10	3,85
K1160.312X35	steel	black	10.9	M12	35	25,5	18	7,5	6	10	3,85

# Socket head screws with low head DIN 6912

## Overview of items

Order No.	Material	Main colour	Grade	D	L	B	DK	K	D1	SW	T
K1160.312X45	steel	black	10.9	M12	45	30	18	7,5	6	10	3,85
K1160.312X50	steel	black	10.9	M12	50	30	18	7,5	6	10	3,85
K1160.312X60	steel	black	10.9	M12	60	30	18	7,5	6	10	3,85
K1160.316X30	steel	black	10.9	M16	30	19	24	10	8	14	5,35
K1160.316X45	steel	black	10.9	M16	45	38	24	10	8	14	5,35
K1160.316X50	steel	black	10.9	M16	50	38	24	10	8	14	5,35
K1160.316X70	steel	black	10.9	M16	70	38	24	10	8	14	5,35
K1160.316X80	steel	black	10.9	M16	80	38	24	10	8	14	5,35
K1160.320X40	steel	black	10.9	M20	40	26	30	12	10	17	6,32
K1160.320X50	steel	black	10.9	M20	50	36	30	12	10	17	6,32
K1160.320X60	steel	black	10.9	M20	60	46	30	12	10	17	6,32
K1160.320X70	steel	black	10.9	M20	70	46	30	12	10	17	6,32
K1160.104X10	stainless steel	-	-	M4	10	6,5	7	2,8	2	3	1,48
K1160.104X12	stainless steel	-	-	M4	12	8,5	7	2,8	2	3	1,48
K1160.104X16	stainless steel	-	-	M4	16	12,5	7	2,8	2	3	1,48
K1160.104X20	stainless steel	-	-	M4	20	14	7	2,8	2	3	1,48
K1160.104X25	stainless steel	-	-	M4	25	14	7	2,8	2	3	1,48
K1160.105X10	stainless steel	-	-	M5	10	5,8	8,5	3,5	2,5	4	1,88
K1160.105X12	stainless steel	-	-	M5	12	7,8	8,5	3,5	2,5	4	1,88
K1160.105X16	stainless steel	-	-	M5	16	11,8	8,5	3,5	2,5	4	1,88
K1160.105X20	stainless steel	-	-	M5	20	15,8	8,5	3,5	2,5	4	1,88
K1160.105X25	stainless steel	-	-	M5	25	16	8,5	3,5	2,5	4	1,88
K1160.105X30	stainless steel	-	-	M5	30	16	8,5	3,5	2,5	4	1,88
K1160.106X10	stainless steel	-	-	M6	10	4,5	10	4	3	5	2,38
K1160.106X12	stainless steel	-	-	M6	12	6,5	10	4	3	5	2,38
K1160.106X16	stainless steel	-	-	M6	16	10,5	10	4	3	5	2,38
K1160.106X20	stainless steel	-	-	M6	20	14,5	10	4	3	5	2,38
K1160.106X25	stainless steel	-	-	M6	25	19,5	10	4	3	5	2,38
K1160.106X30	stainless steel	-	-	M6	30	18	10	4	3	5	2,38
K1160.106X35	stainless steel	-	-	M6	35	18	10	4	3	5	2,38
K1160.106X40	stainless steel	-	-	M6	40	18	10	4	3	5	2,38
K1160.106X45	stainless steel	-	-	M6	45	18	10	4	3	5	2,38
K1160.106X50	stainless steel	-	-	M6	50	18	10	4	3	5	2,38
K1160.106X60	stainless steel	-	-	M6	60	18	10	4	3	5	2,38
K1160.108X10	stainless steel	-	-	M8	10	6	13	5	4	6	2,88
K1160.108X12	stainless steel	-	-	M8	12	5	13	5	4	6	2,88
K1160.108X16	stainless steel	-	-	M8	16	9	13	5	4	6	2,88
K1160.108X20	stainless steel	-	-	M8	20	22	13	5	4	6	2,88
K1160.108X25	stainless steel	-	-	M8	25	22	13	5	4	6	2,88
K1160.108X30	stainless steel	-	-	M8	30	22	13	5	4	6	2,88
K1160.108X35	stainless steel	-	-	M8	35	22	13	5	4	6	2,88
K1160.108X40	stainless steel	-	-	M8	40	22	13	5	4	6	2,88
K1160.108X45	stainless steel	-	-	M8	45	22	13	5	4	6	2,88
K1160.108X50	stainless steel	-	-	M8	50	22	13	5	4	6	2,88
K1160.108X60	stainless steel	-	-	M8	60	22	13	5	4	6	2,88
K1160.108X70	stainless steel	-	-	M8	70	22	13	5	4	6	2,88
K1160.110X16	stainless steel	-	-	M10	16	8	16	6,5	5	8	3,35
K1160.110X20	stainless steel	-	-	M10	20	12	16	6,5	5	8	3,35
K1160.110X25	stainless steel	-	-	M10	25	17	16	6,5	5	8	3,35
K1160.110X30	stainless steel	-	-	M10	30	22	16	6,5	5	8	3,35
K1160.110X35	stainless steel	-	-	M10	35	27	16	6,5	5	8	3,35
K1160.110X40	stainless steel	-	-	M10	40	26	16	6,5	5	8	3,35
K1160.110X45	stainless steel	-	-	M10	45	26	16	6,5	5	8	3,35
K1160.110X50	stainless steel	-	-	M10	50	26	16	6,5	5	8	3,35
K1160.110X60	stainless steel	-	-	M10	60	26	16	6,5	5	8	3,35
K1160.110X70	stainless steel	-	-	M10	70	26	16	6,5	5	8	3,35
K1160.112X20	stainless steel	-	-	M12	20	10,5	18	7,5	6	10	3,85
K1160.112X25	stainless steel	-	-	M12	25	15,5	18	7,5	6	10	3,85
K1160.112X30	stainless steel	-	-	M12	30	30	18	7,5	6	10	3,85
K1160.112X35	stainless steel	-	-	M12	35	25,5	18	7,5	6	10	3,85
K1160.112X40	stainless steel	-	-	M12	40	30,5	18	7,5	6	10	3,85
K1160.112X45	stainless steel	-	-	M12	45	30	18	7,5	6	10	3,85

**Socket head screws with low head DIN 6912****Overview of items**

Order No.	Material	Main colour	Grade	D	L	B	DK	K	D1	SW	T
<b>K1160.112X50</b>	stainless steel	-	-	M12	50	30	18	7,5	6	10	3,85
<b>K1160.112X60</b>	stainless steel	-	-	M12	60	30	18	7,5	6	10	3,85
<b>K1160.112X70</b>	stainless steel	-	-	M12	70	30	18	7,5	6	10	3,85