

Pull handles oval

Item description/product images



Description

Material:

Oval aluminium EN AW-6060

Version:

Black or ruby red RAL 3003 powder-coated, natural tone anodised or bright vibratory ground.

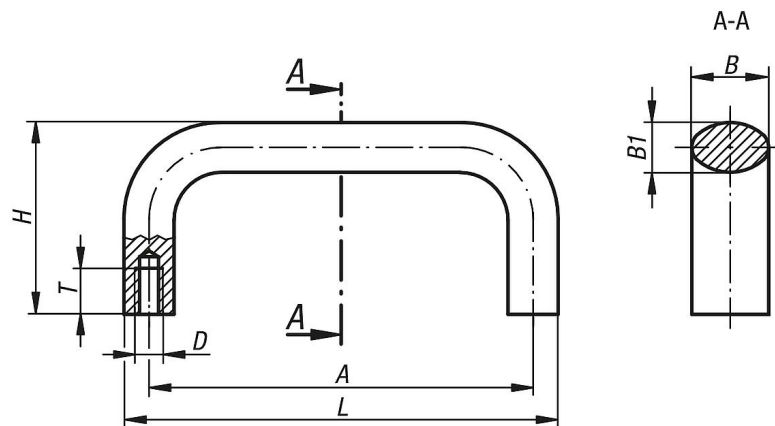
Note:

These pull handles are extremely robust and can also be used where rough usage is expected. The bright vibratory-ground version can be painted or coated after assembly.

Assembly:

From the rear.

Drawings



Overview of items

Pull handles, oval

Order No.	Main colour	A	B	B1	D	H	L	T	Load capacity N
K0204.10001	black powder-coated	100	21	13	M6	50	113	12	1000
K0204.11201	black powder-coated	112	21	13	M6	50	125	12	1000
K0204.1120108	black powder-coated	112	25	17	M8	55	129	14	1000
K0204.12001	black powder-coated	120	21	13	M6	50	133	12	1000
K0204.1200108	black powder-coated	120	25	17	M8	55	137	14	1000
K0204.12801	black powder-coated	128	21	13	M6	50	141	12	1000
K0204.1280108	black powder-coated	128	25	17	M8	55	145	14	1000
K0204.1600106	black powder-coated	160	21	13	M6	50	173	12	1000
K0204.16001	black powder-coated	160	25	17	M8	55	177	14	1000
K0204.18001	black powder-coated	180	25	17	M8	55	197	14	1000
K0204.19201	black powder-coated	192	25	17	M8	55	209	14	1000
K0204.35001	black powder-coated	350	25	17	M8	55	367	14	1000
K0204.10003	natural anodized	100	20	13	M6	50	113	12	1000
K0204.11203	natural anodized	112	20	13	M6	50	125	12	1000
K0204.1120308	natural anodized	112	26	17	M8	55	129	14	1000
K0204.12003	natural anodized	120	20	13	M6	50	133	12	1000

Pull handles oval

Overview of items

Order No.	Main colour	A	B	B1	D	H	L	T	Load capacity N
K0204.1200308	natural anodized	120	26	17	M8	55	137	14	1000
K0204.12803	natural anodized	128	20	13	M6	50	141	12	1000
K0204.1280308	natural anodized	128	26	17	M8	55	145	14	1000
K0204.1600306	natural anodized	160	20	13	M6	50	173	12	1000
K0204.16003	natural anodized	160	26	17	M8	55	177	14	1000
K0204.18003	natural anodized	180	26	17	M8	55	197	14	1000
K0204.19203	natural anodized	192	26	17	M8	55	209	14	1000
K0204.35003	natural anodized	350	26	17	M8	55	367	14	1000
K0204.10027	red RAL3003 powder-coated	100	21	13	M6	50	113	12	1000
K0204.11227	red RAL3003 powder-coated	112	21	13	M6	50	125	12	1000
K0204.1122708	red RAL3003 powder-coated	112	25	17	M8	55	129	14	1000
K0204.12027	red RAL3003 powder-coated	120	21	13	M6	50	133	12	1000
K0204.1202708	red RAL3003 powder-coated	120	25	17	M8	55	137	14	1000
K0204.12827	red RAL3003 powder-coated	128	21	13	M6	50	141	12	1000
K0204.1282708	red RAL3003 powder-coated	128	25	17	M8	55	145	14	1000
K0204.1602706	red RAL3003 powder-coated	160	21	13	M6	50	173	12	1000
K0204.16027	red RAL3003 powder-coated	160	25	17	M8	55	177	14	1000
K0204.18027	red RAL3003 powder-coated	180	25	17	M8	55	197	14	1000
K0204.19227	red RAL3003 powder-coated	192	25	17	M8	55	209	14	1000
K0204.35027	red RAL3003 powder-coated	350	25	17	M8	55	367	14	1000
K0204.100	bright	100	21	13	M6	50	113	12	1000
K0204.112	bright	112	21	13	M6	50	125	12	1000
K0204.120	bright	120	21	13	M6	50	133	12	1000
K0204.128	bright	128	21	13	M6	50	141	12	1000
K0204.16006	bright	160	21	13	M6	50	173	12	1000
K0204.11208	bright	112	25	17	M8	55	129	14	1000
K0204.12008	bright	120	25	17	M8	55	137	14	1000
K0204.12808	bright	128	25	17	M8	55	145	14	1000
K0204.160	bright	160	25	17	M8	55	177	14	1000
K0204.180	bright	180	25	17	M8	55	197	14	1000
K0204.192	bright	192	25	17	M8	55	209	14	1000
K0204.350	bright	350	25	17	M8	55	367	14	1000