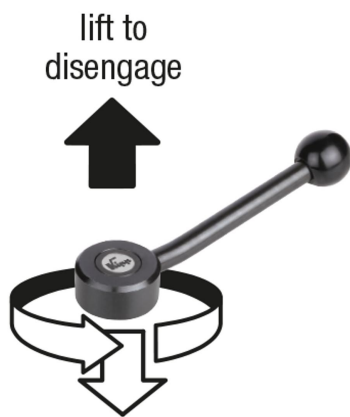


Tension levers flat internal thread, stainless steel

Item description/product images



Description

Material:

Steel parts stainless steel 1.4305.

Ball knob black plastic.

Version:

Steel parts bright.

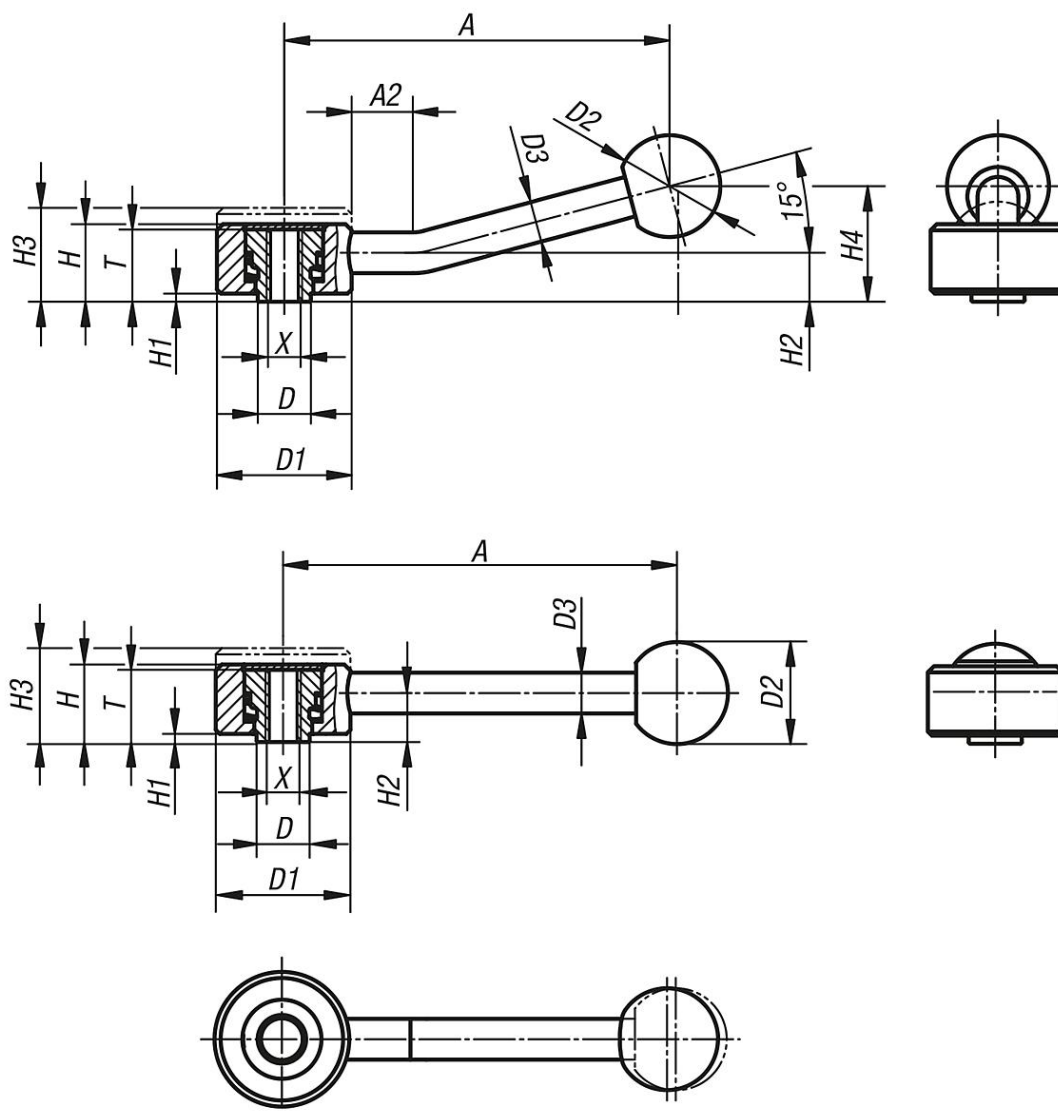
On request:

Other threads and special versions.

Dimensions "H1" and "A" available in other lengths at extra charge.

Tension levers flat internal thread, stainless steel

Drawings



Overview of items

Tension levers, flat, internal thread, stainless steel

Order No.	Form	Size	A	A2	D	D1	D2	D3	H	H1	H2	H3	H4	T	No. of teeth
K0129.1081	0°	1	102	-	13,5	33	25	10	19	2	12	23	-	18	26
K0129.2101	0°	2	131	-	19	41	30	12	22	2	13,5	26	-	21	30
K0129.2121	0°	2	131	-	19	41	30	12	22	2	13,5	26	-	21	30
K0129.3161	0°	3	148	-	23	45	37	14	28	2	17	33	-	27	36
K0129.1082	15°	1	100	15	13,5	33	25	10	19	2	12	23	29	18	26
K0129.2102	15°	2	127	15	19	41	30	12	22	2	13,5	26	38	21	30
K0129.2122	15°	2	127	15	19	41	30	12	22	2	13,5	26	38	21	30
K0129.3162	15°	3	145	15	23	45	37	14	28	2	17	33	48	27	36