

Toggle clamps latch horizontal heavy-duty with catch plate

Item description/product images



Description

Material:

Steel. Body and catch plate cast steel.
Grip ductile iron (SGI).

Version:

Trivalent passivated.
Plastic grip oil-resistant.

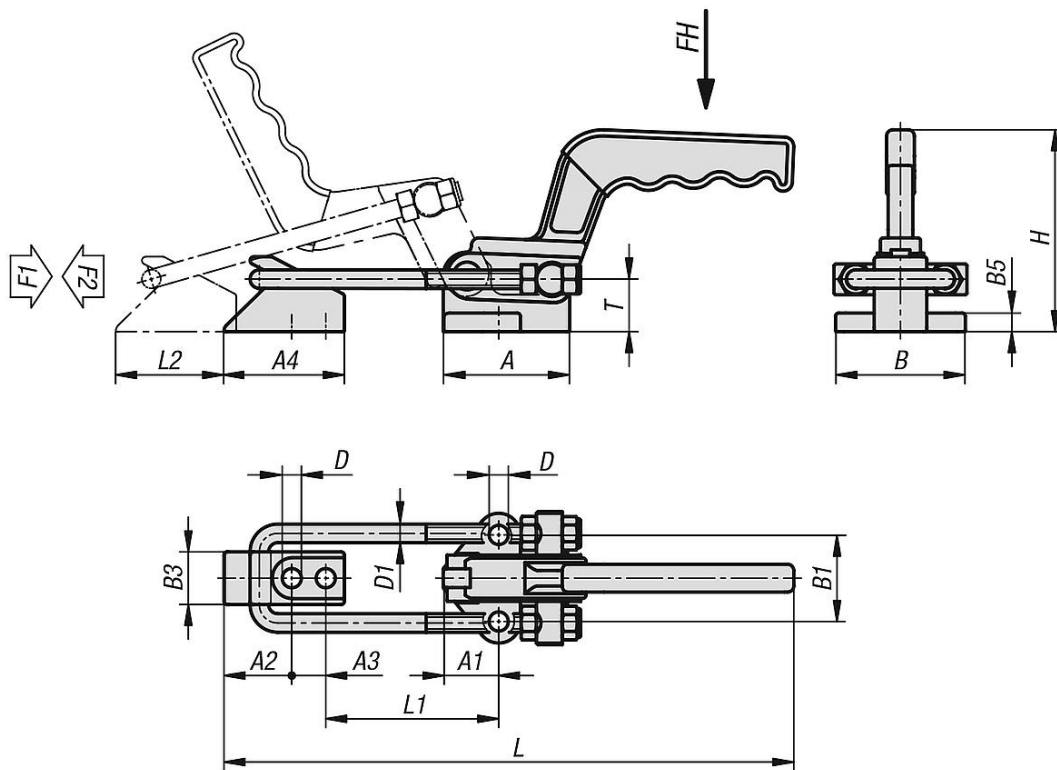
Note:

Horizontal latch toggle clamps are especially suitable for quickly closing and locking covers and hatches.
The travel can be set by altering the hasp length.



Toggle clamps latch horizontal heavy-duty with catch plate

Drawings



Overview of items

Toggle clamps, latch, horizontal, heavy-duty with catch plate

| Order No. | Opening angle of handle | Hand force FH N | Pull force F1 N | Retaining force F2 N | Travel path L min. | Travel path L max. | Travel path L1 min. | Travel path L1 max. | Clamping travel L2 |
|--------------|-------------------------|-----------------|-----------------|----------------------|--------------------|--------------------|---------------------|---------------------|--------------------|
| K1262.020000 | 138° | 600 | 16500 | 20000 | 270 | 320 | 38 | 88 | 60 |
| K1262.040000 | 120° | 600 | 19000 | 40000 | 335 | 395 | 52 | 112 | 70 |

| Order No. | A | A1 | A2 | A3 | A4 | B | B1 | B3 | B5 | D | D1 | H | T |
|--------------|------|----|----|----|----|----|----|----|----|------|----|-------|------|
| K1262.020000 | 59,5 | 24 | 37 | 18 | 65 | 74 | 50 | 28 | 10 | 10,4 | 10 | 114,3 | 27 |
| K1262.040000 | 82 | 36 | 44 | 22 | 78 | 84 | 56 | 34 | 12 | 12,4 | 12 | 131 | 33,5 |