

Shaft collars with wing grip similar to DIN 705, steel

Item description/product images



Description

Material:

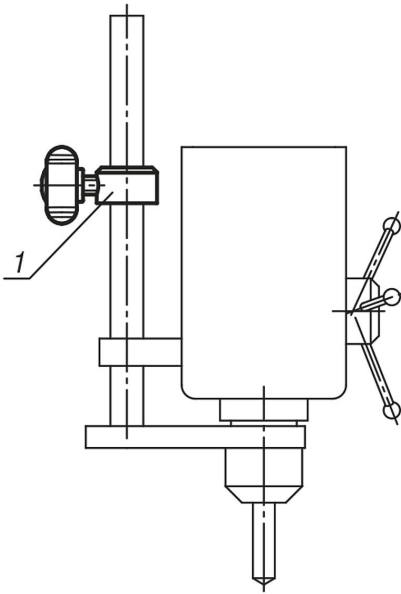
Shaft collar steel.
Wing grip thermoplastic.
Threaded pin steel grade 5.8.

Version:

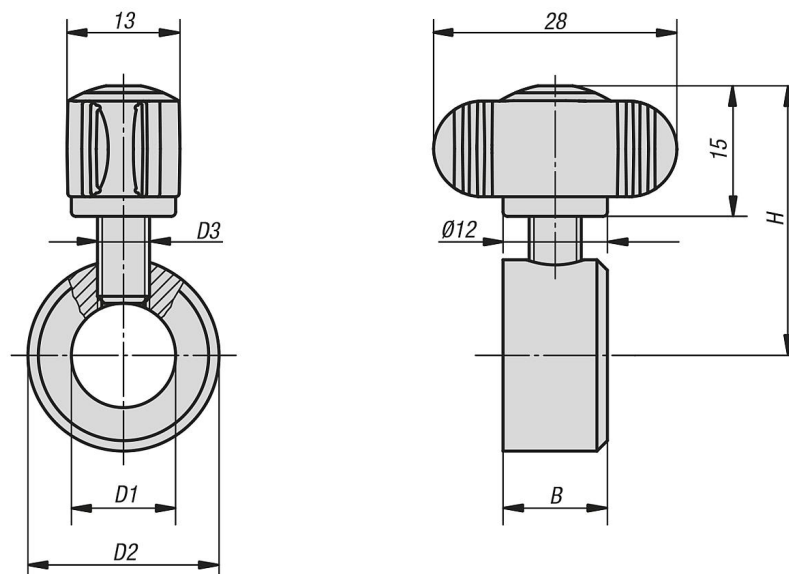
Shaft collar bright.
Wing grip black grey.
Screw blue passivated.

Drawing reference:

1) variable stop



Drawings



Overview of items

Shaft collars with wing grip similar to DIN 705, steel

Overview of items

Shaft collars with wing grip similar to DIN 705, steel

Order No.	B	D1	D2	D3	H
K0407.100601	8	6	12	M4	26
K0407.100801	8	8	16	M4	27
K0407.101001	10	10	20	M5	30
K0407.101201	12	12	22	M6	31
K0407.101601	12	16	28	M6	33
K0407.102001	14	20	32	M6	35
K0407.102501	16	25	40	M8	37,5
K0407.103201	16	32	50	M8	46