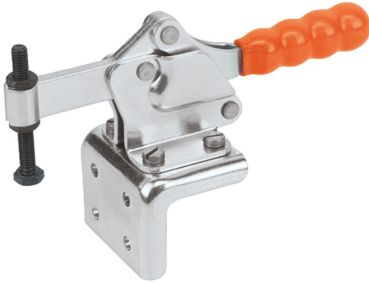
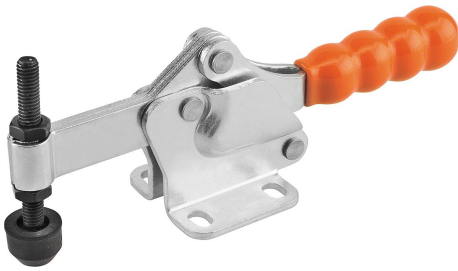


Toggle clamps horizontal with flat foot and fixed clamping spindle

Item description/product images



Angle bracket for front face mounting (see accessories)

Description

Material:
Steel.

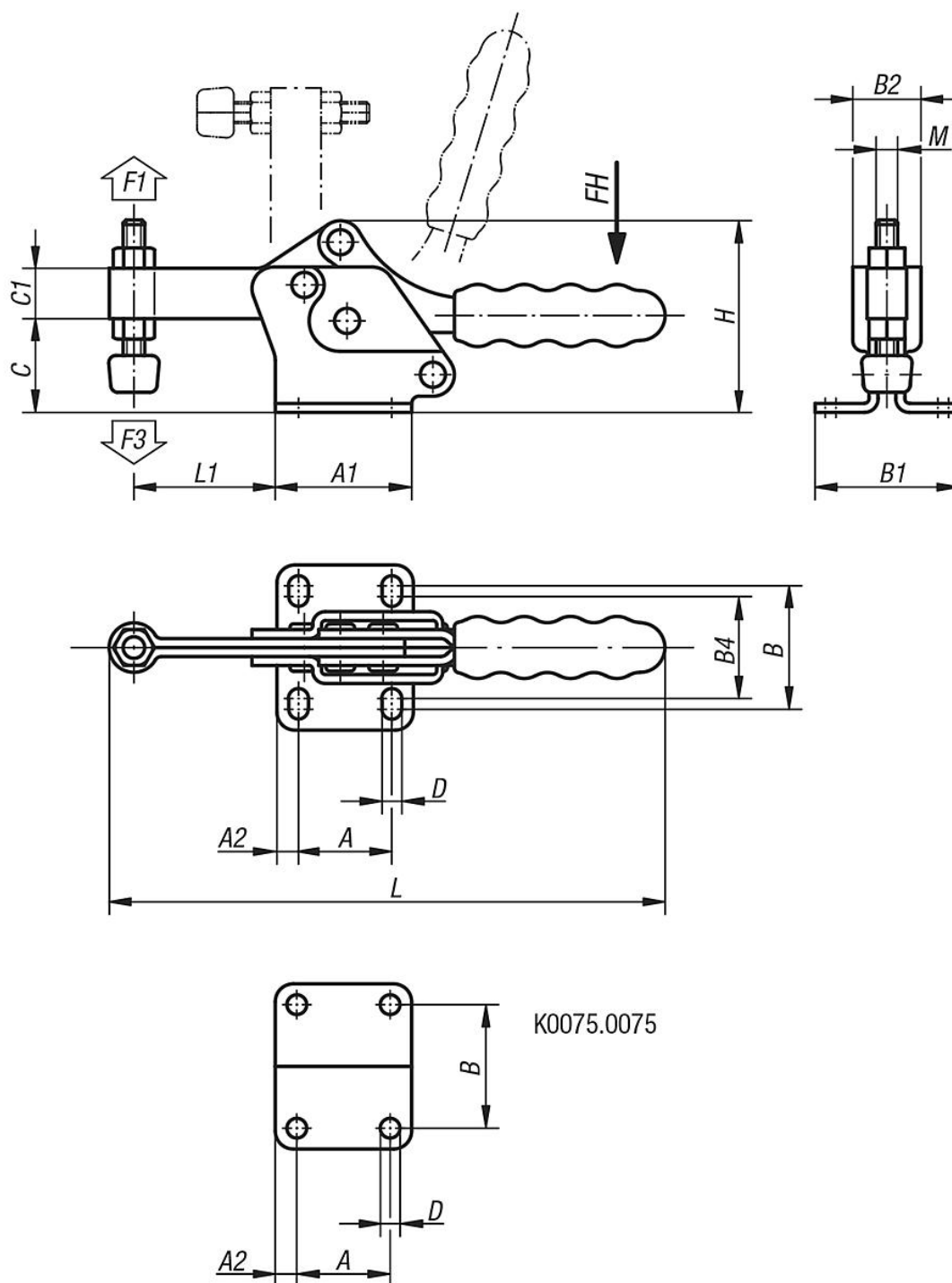
Version:
Trivalent passivated.
Clamping spindle and nuts phosphated.
Plastic grip oil-resistant.

Note:
The clamping spindle is supplied with a neoprene thrust pad.

Accessory:
K0098
K0100
K0101
K0102
K0103
K0106

Toggle clamps horizontal with flat foot and fixed clamping spindle

Drawings



Overview of items

Toggle clamps horizontal with flat foot and fixed clamping spindle

Order No.	Opening angle of holding arm	Opening angle of handle	Hand force FH N	Retaining force F1 N	Clamping force F3 N	Matching plastic grip
K0075.0075	90°	75°	80	750	320	K0100.16
K0075.0150	90°	80°	140	1500	650	K0100.20

Toggle clamps horizontal with flat foot and fixed clamping spindle

Overview of items

Order No.	A	A1	A2	B	B1	B2	B4	C	C1	D	H	L	L1	M	Order No. Angle bracket
K0075.0075	13,5	25	5,7	16,8	27	16	-	19	9,5	5,2	38	108	24,5	M5x35	K0098.02
K0075.0150	26	38	6	28	40	20	22	25	14	5,5	53	155	38	M6x50	K0098.04