

## Self-aligning pads with O-ring and exchangeable inserts, Form K, flattened POM insert smooth

Item description/product images



### Description

#### Material:

Body carbon steel.

Ball rust and acid resistant steel.

Insert:

Form K POM

#### Version:

Body tempered and black oxidised.

Ball hardened and bright.

Insert:

Form K white

#### Note:

Self-aligning pads are used to support and clamp unmachined and machined workpieces.

They can also be used as stops, supports and thrust pads in fixtures and toolmaking.

The ball can be removed from the housing by applying light pressure to the socket head screw.

Ball secured against rotation.

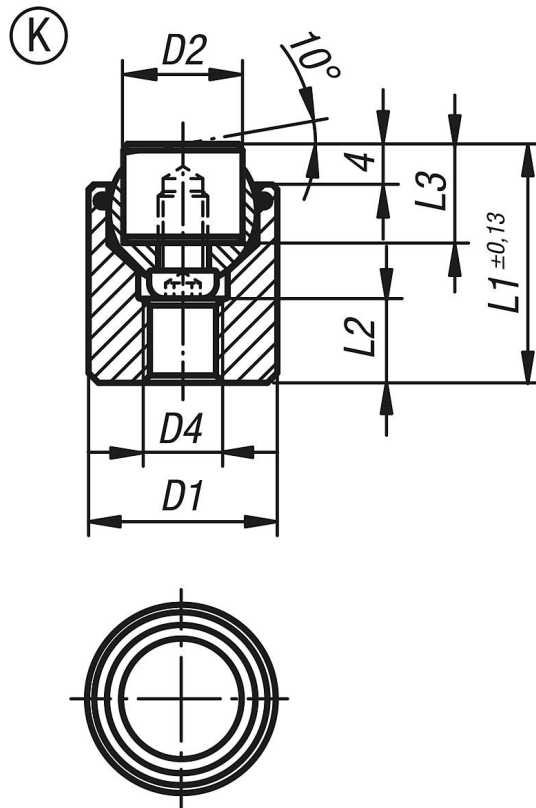
#### Advantages:

Highly cost-effective as inserts can be exchanged.

The built-in O-ring holds the ball in place and keeps dirt and foreign particles out, ensuring uniform movement.

**Self-aligning pads with O-ring and exchangeable inserts, Form K, flattened POM insert smooth**

Drawings



**Overview of items**

Order No.	Form	D1	D2	D4	L1	L2	L3	Ball Ø	Load rating max. kN (static load only)	Order No. POM insert
K0285.717X022	K	17	10	M6	22	7	10	13	4	K0385.10109
K0285.719X024	K	19	12	M8	24	8	10	15	7	K0385.12109
K0285.724X028	K	24	16	M10	28	8	10	20	14	K0385.16109
K0285.730X030	K	30	20	M12	30	9	10	23	27	K0385.20109
K0285.736X036	K	36	25	M12	36	11	10	28	47	K0385.25109