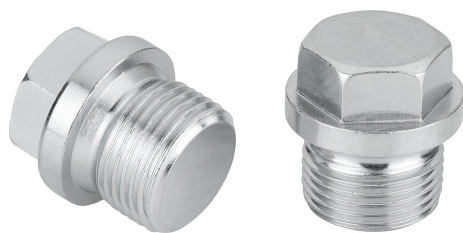


## Screw plugs hex head with collar DIN 910

### Item description/product images



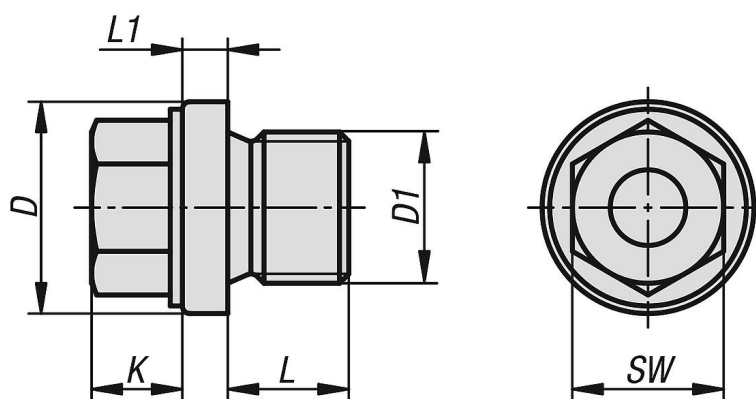
### Description

**Material:**  
Steel.

**Version:**  
Electro zinc-plated.

**Note:**  
Screw plugs with collar and hexagonal head for plugging holes with parallel threads.

### Drawings



### Overview of items

#### Hexagon head screw plugs with collar DIN 910

Order No.	D	D1	K	L	L1	SW
K1131.101010	14	M10X1	6	8	3	10
K1131.101215	17	M12X1,5	6	12	3	13
K1131.101415	19	M14X1,5	6	12	3	13
K1131.101615	21	M16X1,5	6	12	3	17
K1131.101815	23	M18X1,5	8	12	4	17
K1131.102015	25	M20X1,5	8	14	4	19
K1131.102215	27	M22X1,5	8	14	4	19
K1131.102415	29	M24X1,5	9	14	4	22
K1131.102615	31	M26X1,5	10	16	4	24
K1131.102720	32	M27X2	10	16	4	24
K1131.103015	36	M30X1,5	10	16	4	24
K1131.103320	39	M33X2	11	16	5	27
K1131.103615	42	M36X1,5	11	16	5	27
K1131.104215	49	M42X1,5	12	16	5	30
K1131.104220	49	M42X2	12	16	5	30
K1131.104815	55	M48X1,5	12	16	5	30
K1131.104820	55	M48X2	12	16	5	30
K1131.10018	14	G1/8	6	8	3	10
K1131.10014	18	G1/4	6	12	3	13
K1131.10038	22	G3/8	6	12	3	17
K1131.10012	26	G1/2	8	14	4	19
K1131.10034	32	G3/4	10	16	4	24
K1131.10100	39	G1	11	16	5	27
K1131.10114	49	G1 1/4	12	16	5	30

**Screw plugs hex head with collar DIN 910****Overview of items**

Order No.	D	D1	K	L	L1	SW
K1131.10112	55	G1 1/2	12	16	5	30