

Toggle clamps push-pull without mounting bracket

Item description/product images



Description

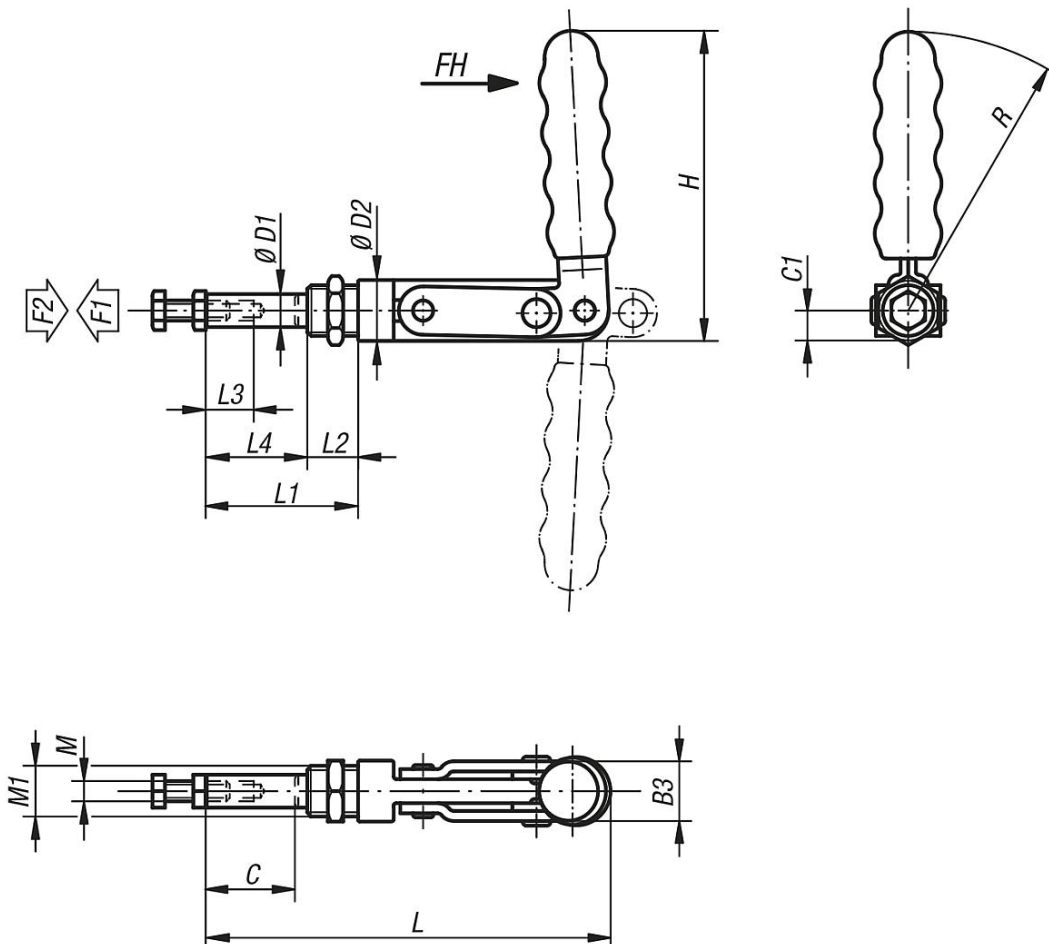
Material:
Steel.

Version:
Trivalent passivated.
Connecting rod, guide body and thrust screw phosphated.
Plastic grip oil-resistant.

Note:
As the push-pull toggle clamps lock in open and closed handle positions, they can be used to clamp when pushing or pulling.
The fastening nut supplied allows the clamps to be mounted in any desired position.

Accessory:
K0100
K0101
K0102
K0103
K0106

Drawings



Toggle clamps push-pull without mounting bracket

Overview of items

Toggle clamps push-pull without mounting bracket

Order No.	Opening angle of handle	Hand force FH N	Retaining force F2 N	Clamping force F1 N	Matching plastic grip
K0086.0350	185°	110	3500	1500	K0100.28
K0086.0550	185°	140	5500	1600	K0100.30
K0086.0750	185°	160	7500	1600	K0100.33

Order No.	B3	C1	D1	D2	H	L	L1	L2	L3	L4	M	M1	R	C (travel)
K0086.0350	20,5	9,5	10	19	106,5	123	49	16	18	33	M6x25	M16x1,5	97	25
K0086.0550	24,5	12	13	24	130	159	60	20	30	40	M8x40	M20x1,5	118	38
K0086.0750	31	14,2	16	28,5	149	235	93	23	40	70	M10x50	M24x1,5	135	67