

## Hinges aluminium, lift-off, left

### Item description/product images



### Description

**Material:**

Die-cast aluminium.  
Hinge pin stainless steel.

**Version:**

Hinge silver powder coated.  
Axle bright.

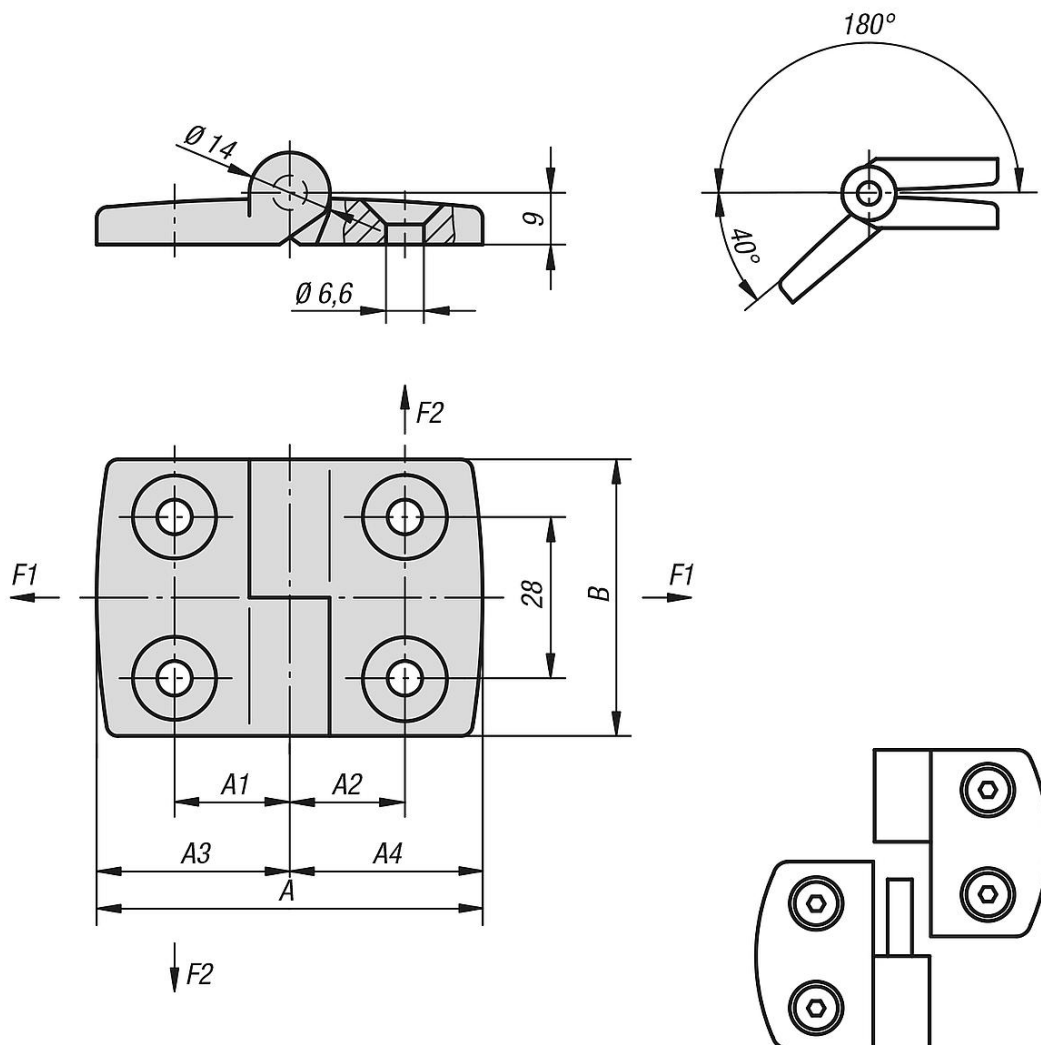
**Note:**

Hinges for panel elements and aluminium profiles.  
The hinges can be fitted with a plastic spacer ring on the hinge pin.

**On request:**

Hinges with guide tabs for aluminium profiles (slots 5, 6, 8, 10, 12 and 14).  
Unequal leaf combinations.

### Drawings



## Hinges aluminium, lift-off, left

### Overview of items

#### Hinges aluminium, lift-off, left

Order No.	A	A1	A2	A3	A4	B	F1 max. kN	F2 max. kN
K0579.1251515	52	15	15	26	26	48	0,41	0,25
K0579.1301818	59	17,5	17,5	29,5	29,5	48	0,45	0,28
K0579.1352020	72	20	20	36	36	48	0,5	0,25
K0579.1402323	77	22,5	22,5	38,5	38,5	48	0,55	0,2
K0579.1452525	87	25	25	43,5	43,5	48	0,55	0,2
K0579.1502828	97	27,5	27,5	48,5	48,5	48	0,55	0,175
K0579.1603333	115	32,5	32,5	57,5	57,5	48	0,575	0,15