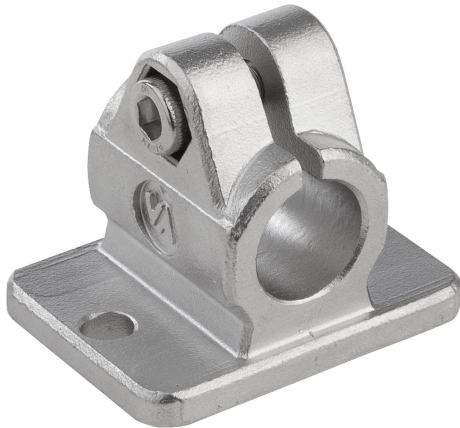


## Tube clamps flange stainless steel

### Item description/product images



### Description

**Material:**

Investment cast 1.4308 stainless steel.

ISO 4762 cap screw and ISO 4032 hex nut, stainless steel.

From  $\varnothing 30$  mm ISO 4017 hex head bolt, stainless steel.

**Version:**

Electropolished.

**Note:**

The tube clamps with diameters 30 and 40 mm have a silicone sleeve that protects the thread of the hex head screw from contamination and damage.

**On request:**

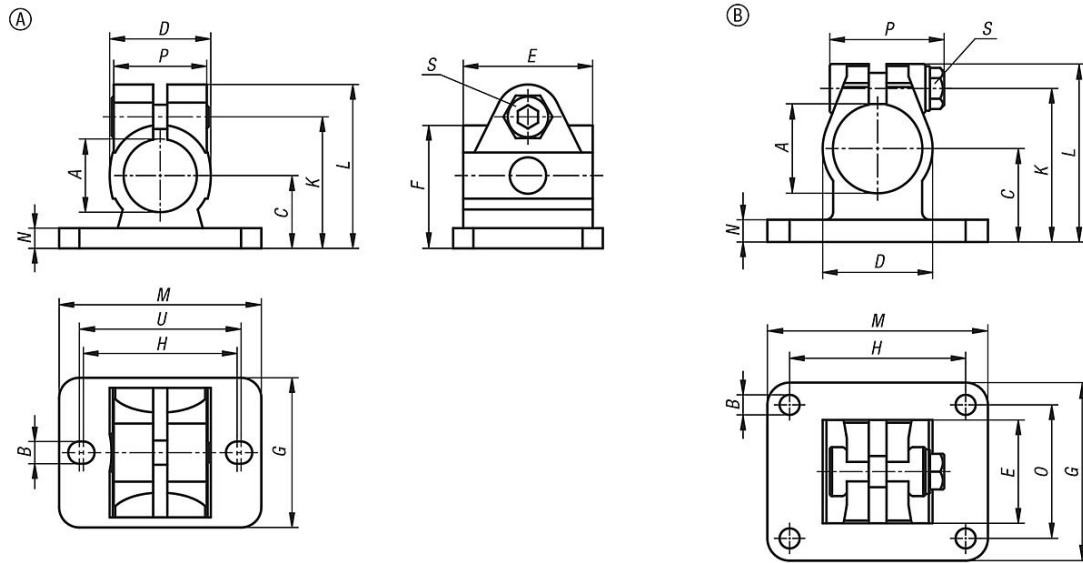
Clamping levers for tightening.

**Accessory:**

- Round and square tubes K0493

## Tube clamps flange stainless steel

### Drawings



### Overview of items

#### Tube clamps flange, stainless steel

Order No.	Form	A	B	C	D	E	F	G	H	K	L	M	N	O	P	S	U
K0479.112	A	12,1	5,5	18	25	32	30,4	37	38	32,5	40,5	50	5	-	23	M6x18	40
K0479.114	A	14,1	5,5	18	25	32	30,4	37	38	32,5	40,5	50	5	-	23	M6x18	40
K0479.116	A	16,1	5,5	18	25	32	30,4	37	38	32,5	40,5	50	5	-	23	M6x18	40
K0479.118	A	18,1	5,5	18	25	32	30,4	37	38	32,5	40,5	50	5	-	23	M6x18	40
K0479.120	A	20,1	5,5	18	25	32	30,4	37	38	32,5	40,5	50	5	-	23	M6x18	40
K0479.130	B	30,1	7	30	37,4	32,4	-	55	60	50	59,2	78	7	40	45,5	M8x30	-
K0479.140	B	40,17	9	42	49,4	46,4	-	80	60	69	80	80	10	60	52	M10x35	-