

Swivel feet ball joints with internal thread

Item description/product images



Description

Material:

Steel or stainless steel 1.4301.

Version:

Steel trivalent blue passivated.

Stainless steel, bright.

Note for ordering:

If the ball joint and plate are to be supplied assembled, please add the suffix "assembled" to the order number for the ball joint and plate. (e.g. K0422.061 and K0415.1030 assembled.)

Note:

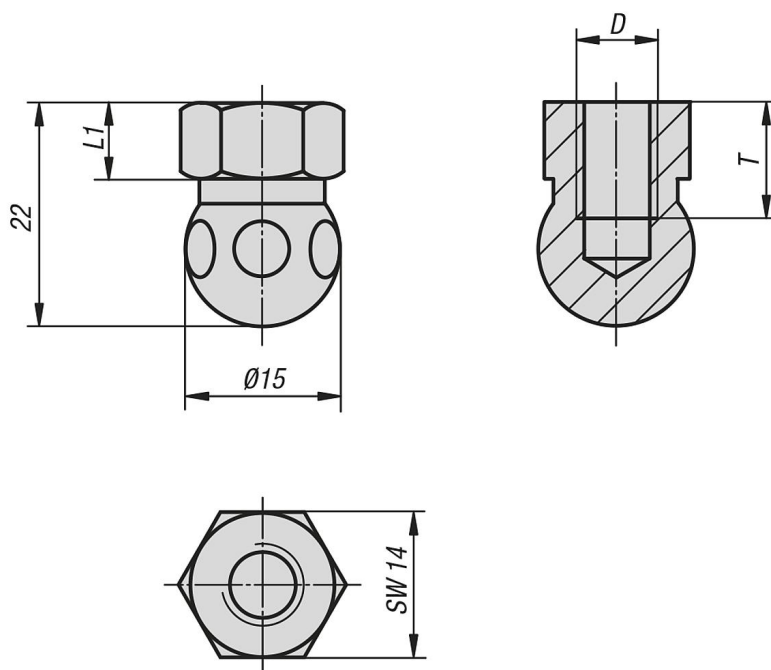
For fastening swivel feet with standard screws.

Swivel feet consist of a ball joint and a plate. Any ball joint can be combined with any plate.

The height of the complete swivel foot is calculated by the height of the hexagon + 22.5 mm.

(Overall height of swivel foot = $L1 + 22.5$ mm).

Drawings



Overview of items

Swivel feet ball joints with internal thread

Swivel feet ball joints with internal thread

Overview of items

Order No.	Main material	D	L1	T
K0422.061	steel	M6	7,5	10
K0422.062	stainless steel	M6	7,5	10
K0422.081	steel	M8	7,5	10
K0422.082	stainless steel	M8	7,5	10