

Hinges plastic, with detent

Item description/product images



Description

Material:

Hinge and caps fibreglass reinforced PA thermoplastic.
Hinge pin stainless steel.

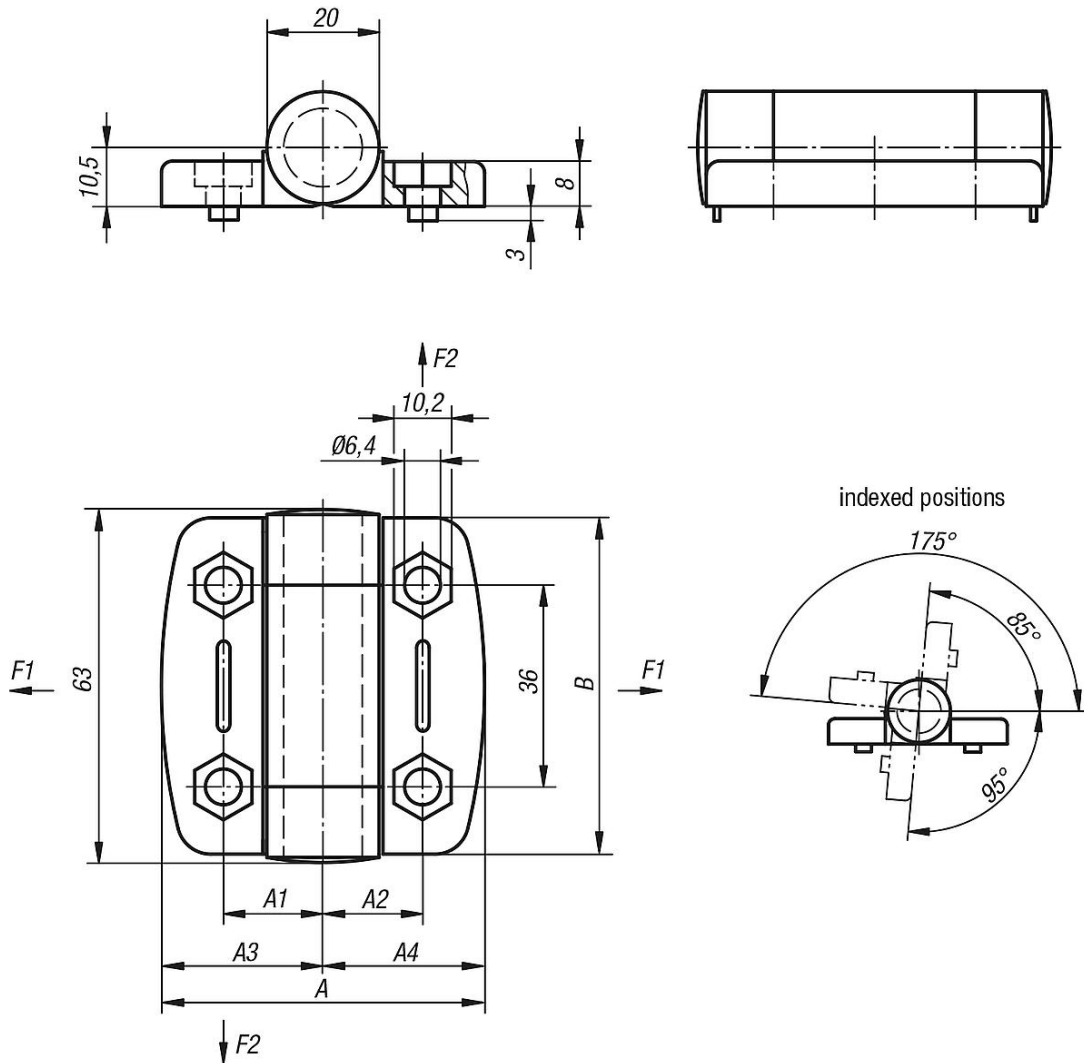
Version:

Hinge and caps black.
Pin bright.

Note:

These hinges have a detent mechanism. This mechanism holds a door or lid open at three different angles or tightly closed. The hinges are available with or without guide tabs for aluminium profile slots.

Drawings



Overview of items

Hinges plastic, with detent

Overview of items

Hinges plastic, with detent

Order No.	A	A1	A2	A3	A4	B	Guide tabs for slot	F1 max. kN	F2 max. kN
K0439.56181800	54	17,75	17,75	27	27	56	-	0,4	0,35
K0439.56181806	54	17,75	17,75	27	27	56	6	0,4	0,35
K0439.56181808	54	17,75	17,75	27	27	56	8	0,4	0,35
K0439.56232300	73,5	22,75	22,75	36,75	36,75	56	-	0,6	0,425
K0439.56232308	73,5	22,75	22,75	36,75	36,75	56	8	0,6	0,425
K0439.56232310	73,5	22,75	22,75	36,75	36,75	56	10	0,6	0,425