

## Self-aligning pads with o-ring

### Item description/product images



### Description

#### Material:

Body carbon steel.

Ball:

Form C, F tool steel.

Form K POM.

Form O stainless steel diamond impregnated.

Form P stainless steel with polyurethane face.

#### Version:

Body tempered, black oxidised.

Ball:

Form C, F hardened, black oxidised.

Form K POM ball, white.

Form O surface comparable to 100 grade abrasive grit.

Form P polyurethane, hardness 60 Shore.

#### Note:

Self-aligning pads are used to support and clamp unmachined and machined workpieces.

They also serve as stops, supports and thrust pads in fixtures and toolmaking.

Ball secured against rotation.

Form O: The abrasive diamond surface is fused firmly to the ball. It is ideally suited to supporting smooth or slippery applications with a minimum of clamping pressure. This allows the diamond particles to get a firm grip on a very small area with minimum damage to the surface. The diamond surface offers excellent wear resistance.

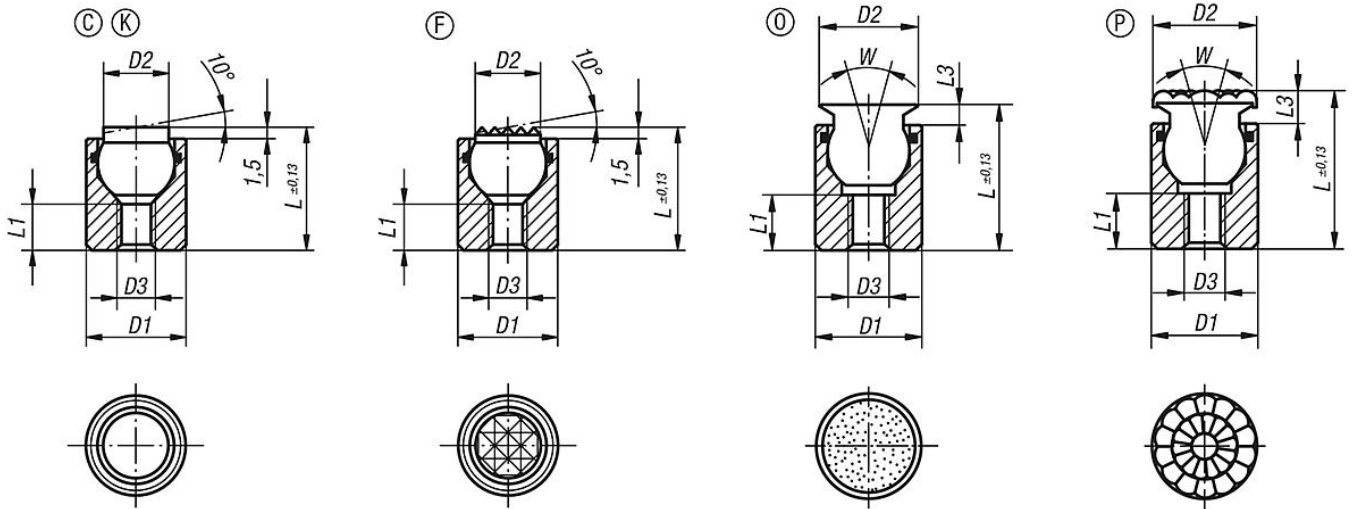
Form P: The polyurethane surface is permanently vulcanised on the ball. It is abrasion-resistant and does not discolour. Offers optimum protection against damage to delicate surfaces. The pearl-like surface gives a firm grip and allows air to escape so as to prevent any suction effect between the contact surface and the self-aligning pads.

#### Advantages:

The built-in O-ring holds the ball in place and keeps dirt and foreign particles out ensuring smooth and even movement.

# Self-aligning pads with o-ring

## Drawings



## Overview of items

### Form C, flattened steel ball, smooth

Order No.	Form	D1	D2	D3	L	L1	Ball Ø	Load rating max. kN (static load only)
K0284.104X012	C	10	6	M4	12	4,5	7	12
K0284.104X025	C	10	6	M4	25	12	7	12
K0284.105X016	C	13	8,5	M5	16	5	10	20
K0284.105X025	C	13	8,5	M5	25	12	10	20

### Form F, flattened steel ball, diamond grip

Order No.	Form	D1	D2	D3	L	L1	Ball Ø	Load rating max. kN (static load only)
K0284.304X012	F	10	6	M4	12	4,5	7	12
K0284.304X025	F	10	6	M4	25	12	7	12
K0284.305X016	F	13	8,5	M5	16	5	10	20
K0284.305X025	F	13	8,5	M5	25	12	10	20

### Form K, flattened POM ball, smooth

Order No.	Form	D1	D2	D3	L	L1	Ball Ø	Load rating max. kN (static load only)
K0284.704X012	K	10	6	M4	12	4,5	7	2
K0284.704X025	K	10	6	M4	25	12	7	2
K0284.705X016	K	13	8,5	M5	16	5	10	4
K0284.705X025	K	13	8,5	M5	25	12	10	4

Order No.	Form	D1	D2	D3	L	L1	L3	W	Ball Ø
K0284.604X014	P	10	10	M4	14,5	3,5	4	28	7
K0284.604X027	P	10	10	M4	27,5	9	4	28	7
K0284.605X019	P	13	13	M5	19,5	6,5	5	28	10
K0284.605X028	P	13	13	M5	28,5	9	5	28	10
K0284.606X023	P	17	16	M6	23	7,5	5	28	13
K0284.608X026	P	19	21	M8	26	8,5	6	24	15
K0284.610X030	P	24	23	M10	30	9	6	24	20