

Crank handles aluminium with revolving grip

Item description/product images



Description

Material:

Crank AlSi9Cu3 3.2163.

Revolving grip thermoplastic PA6 and steel 1.0718.

Version:

Crank black powder coated.

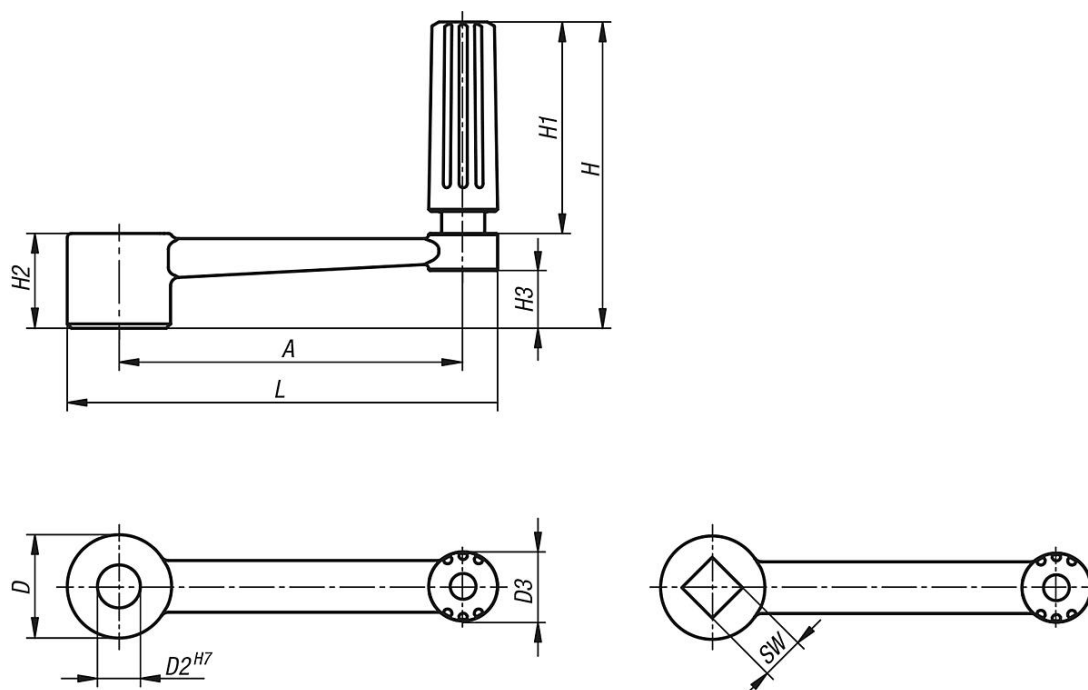
Thermoplastic black.

Steel parts black oxidised.

Note:

Similar to DIN 469.

Drawings



Overview of items

Order No.	Version	A	D	D2	D3	H	H1	H2	H3	L
K0996.3110	reamed hole	80	24	10	16	71,1	49,1	22	13,4	100
K0996.3212	reamed hole	100	28	12	20	87,4	61,4	26	16	124
K0996.3314	reamed hole	125	30	14	26	111	83	28	15,8	153
K0996.3417	reamed hole	160	34	17	26	115	83	32	19,6	190
Order No.	Version	A	D	D3	H	H1	H2	H3	L	SW
K0996.4110	square socket	80	24	16	71,1	49,1	22	13,4	100	10
K0996.4212	square socket	100	28	20	87,4	61,4	26	16	124	12
K0996.4314	square socket	125	30	26	111	83	28	15,8	153	14
K0996.4417	square socket	160	34	26	115	83	32	19,6	190	17