

## Locking pins with axial lock

### Item description/product images



### Description

**Material:**  
Steel.

**Version:**  
Electro zinc-plated.

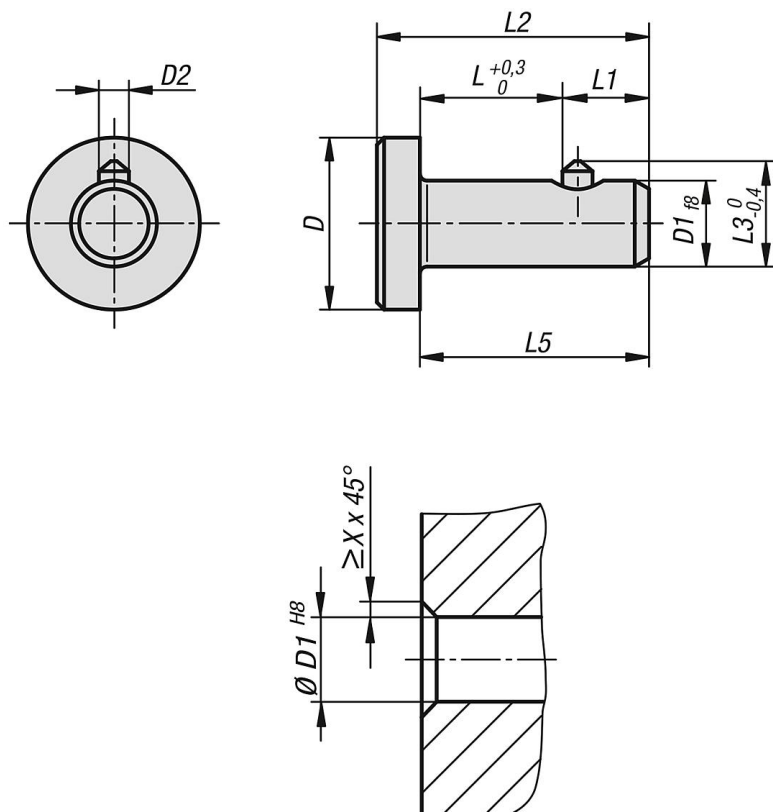
**Note:**  
Locking pins are used for quick and easy fixating and joining of parts and workpieces.

Shearing force double-shear ( $F$ ) =  $S \cdot \tau \cdot aB$  max.

**Assembly:**  
Observe the assembly aid dimension  $X$  in the workpiece.

**Drawing reference:**  
Chamfer for counterpart  $X_{min}$ .  $\alpha$  45°

### Drawings



### Overview of items

### Locking pins with axial lock

## Locking pins with axial lock

### Overview of items

Order No.	D	D1	D2	L	L1	L2	L3	L5	X	Shearing force double shear max.kN
K0772.1206010	12	6	2,1	10	6	19	7,4	16	1,1	12
K0772.1206012	12	6	2,1	12	6	21	7,4	18	1,1	12
K0772.1206016	12	6	2,1	16	6	25	7,4	22	1,1	12
K0772.1206020	12	6	2,1	20	6	29	7,4	26	1,1	12
K0772.1608012	16	8	2,1	12	6	22	9,4	18	1,1	22
K0772.1608016	16	8	2,1	16	6	26	9,4	22	1,1	22
K0772.1608020	16	8	2,1	20	6	30	9,4	26	1,1	22
K0772.1608025	16	8	2,1	25	6	35	9,4	31	1,1	22
K0772.2010012	20	10	2,8	12	8	24	11,8	20	1,2	35
K0772.2010016	20	10	2,8	16	8	28	11,8	24	1,2	35
K0772.2010020	20	10	2,8	20	8	32	11,8	28	1,2	35
K0772.2010025	20	10	2,8	25	8	37	11,8	33	1,2	35
K0772.2412016	24	12	2,8	16	8	29	13,8	24	1,2	51
K0772.2412020	24	12	2,8	20	8	33	13,8	28	1,2	51
K0772.2412025	24	12	2,8	25	8	38	13,8	33	1,2	51
K0772.2412030	24	12	2,8	30	8	43	13,8	38	1,2	51