

# Tommy bars with fixed or sliding T-bar, DIN 6305 or DIN 6307

## Item description/product images



### Description

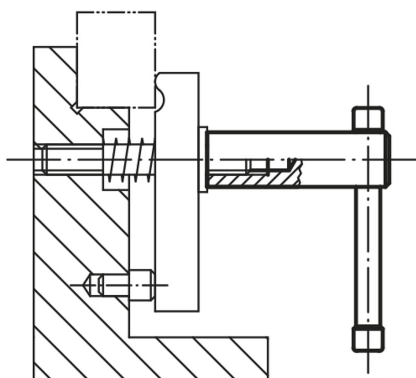
**Material:**  
Steel.

**Version:**  
Black oxidised.

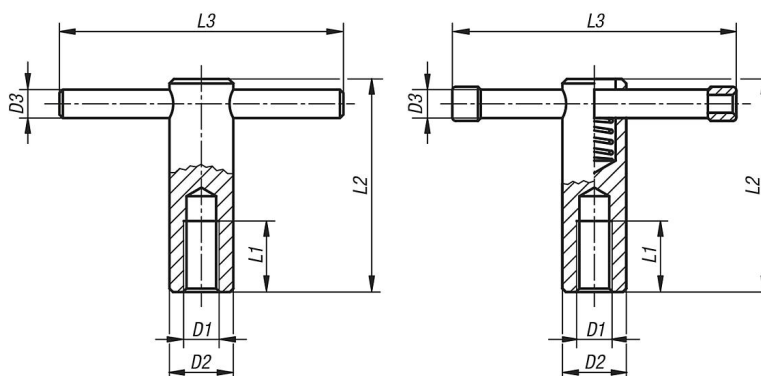
**Note:**

By the version with sliding T-bar the bar is held in any desired position by a spring in the body. End stops prevent the bar falling out.

By the version with fixed T-bar the bar is pressed in.



## Drawings



## Overview of items

### Tommy bars with fixed or sliding T-bar, DIN 6305 or DIN 6307

Order No.	Version	D1	D2	D3	L1	L2	L3
K0755.110	fixed T-bar	M10	18	8	20	60	80
K0755.112	fixed T-bar	M12	20	10	25	70	100
K0755.116	fixed T-bar	M16	24	12	35	85	120
K0755.120	fixed T-bar	M20	30	16	40	95	140
K0755.210	sliding T-bar	M10	18	8	20	60	80
K0755.212	sliding T-bar	M12	20	10	25	70	100
K0755.216	sliding T-bar	M16	24	13	35	85	120
K0755.220	sliding T-bar	M20	30	16	40	95	140