

Toggle clamps hook horizontal with catch plate

Item description/product images



Description

Material:

Steel or stainless steel.

Version:

Electro zinc-plated steel.

Bright stainless steel.

Plastic handle, oil-resistant.

Note:

Horizontal hook toggle clamps are especially suitable for quickly closing and locking covers and hatches.

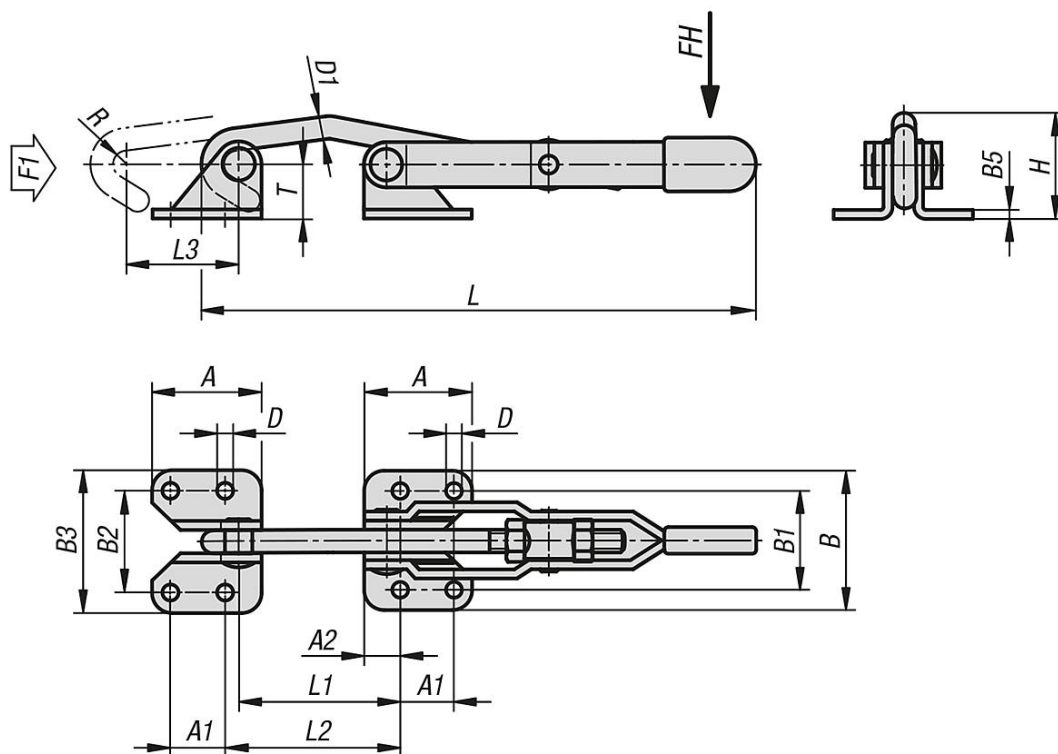
The amount of travel can be set by altering the hook length.

Adjustment length: 0 - 5 mm.



Toggle clamps hook horizontal with catch plate

Drawings



Overview of items

Toggle clamps hook horizontal with catch plate

Order No.	Main material	Hand force FH N	Pull force F1 N	A	A1	A2	B	B1	B2	B3	B5	D	D1	H	L	L1	L2	Clamping travel L3	R	T
K1270.02500	steel	150	2500	38,1	19	12,7	49,2	34,9	36,8	51,1	3	5,6	8	36,5	212	71,1	75,8	100	4,9	16,9
K1270.04000	steel	150	4000	47,6	31,8	7,9	65,7	49,2	49,2	65,7	4	8,7	9,5	57,4	287,5	86,9	82,1	133,8	7	33
K1270.05000	steel	200	5000	54	28,6	12,7	85,7	60,3	60,3	85,7	5	10,3	12,7	67	337,5	90,4	91,9	153	8	42,6
K1270.12500	stainless steel	150	2500	38,1	19	12,7	49,2	34,9	36,8	51,1	3	5,6	8	36,5	212	71,1	75,8	100	4,9	16,9