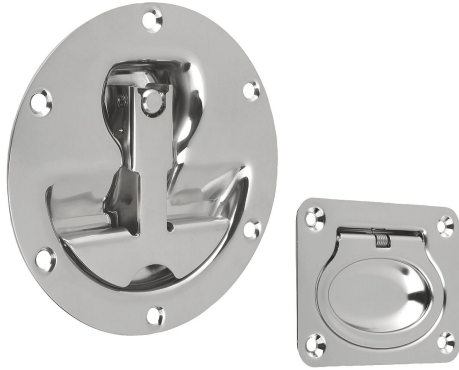


Recessed handles fold-down stainless steel

Item description/product images



Description

Material:

Stainless steel 1.4301.

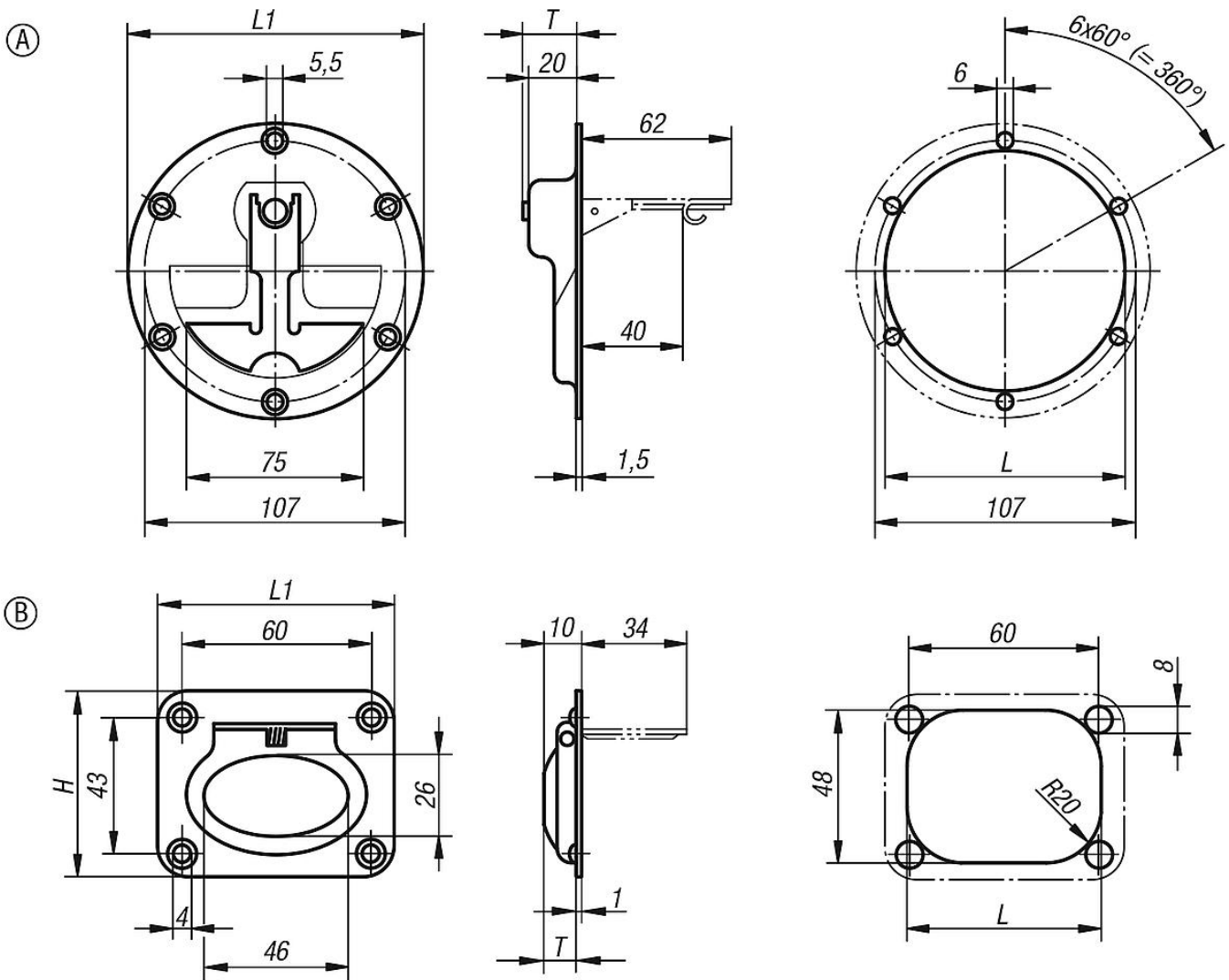
Version:

High-gloss electropolished.

Note:

Stainless steel retractable grips with marginal installation depth. For base and mounting plates or drawers. With return spring. The grip automatically swivels back into its resting position after use.

Drawings



Recessed handles fold-down stainless steel

Overview of items

Recessed handles fold-down stainless steel

Order No.	Form	Type	H	L	L1	T	Load capacity N
K0243.1120000	A	screw on	120	98	120	22	200
K0243.2075058	B	screw on	58	63	75	9	200