

## Tubular handles angled

### Item description/product images



### Description

#### Material:

Legs EN AW-6060 extruded.  
Grip inserts glass-bead reinforced thermoplastic.  
Grip EN AW-6060.

#### Version:

Legs matt-gloss black anodised.  
Grip insert black.  
Grip fine ground and anodised, powder-coated or with serrated black plastic sleeve.

#### Note:

The push-fit handle system shown here can be supplied as complete handles or as pre-assembled legs and grip inserts for mounting custom length grip tubes. The connection between leg and grip tube is splash-proof and absolutely tight.

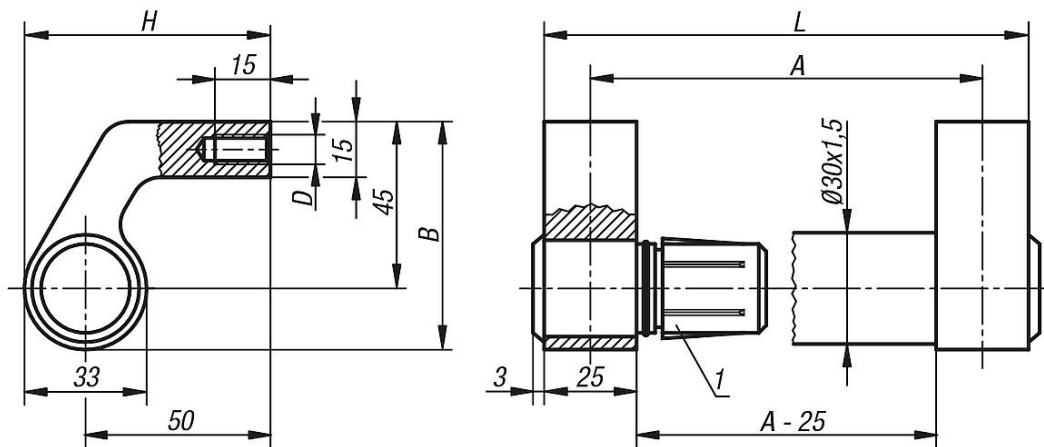
#### On request:

Supports for larger tube lengths.

#### Drawing reference:

1) grip insert

### Drawings



### Overview of items

#### Tubular handles angled

Order No.	Main colour	A	B	D	H	L	Load capacity N
K0132.2001	natural anodized	200	61,5	M8	66,5	225	1000
K0132.2501	natural anodized	250	61,5	M8	66,5	275	1000
K0132.3001	natural anodized	300	61,5	M8	66,5	325	1000
K0132.3501	natural anodized	350	61,5	M8	66,5	375	1000
K0132.4001	natural anodized	400	61,5	M8	66,5	425	1000
K0132.5001	natural anodized	500	61,5	M8	66,5	525	1000
K0132.6001	natural anodized	600	61,5	M8	66,5	625	1000
K0132.2002	black anodized	200	61,5	M8	66,5	225	1000

## Tubular handles angled

### Overview of items

Order No.	Main colour	A	B	D	H	L	Load capacity N
K0132.2502	black anodized	250	61,5	M8	66,5	275	1000
K0132.3002	black anodized	300	61,5	M8	66,5	325	1000
K0132.3502	black anodized	350	61,5	M8	66,5	375	1000
K0132.4002	black anodized	400	61,5	M8	66,5	425	1000
K0132.5002	black anodized	500	61,5	M8	66,5	525	1000
K0132.6002	black anodized	600	61,5	M8	66,5	625	1000
K0132.2003	black powder-coated	200	61,5	M8	66,5	225	1000
K0132.2503	black powder-coated	250	61,5	M8	66,5	275	1000
K0132.3003	black powder-coated	300	61,5	M8	66,5	325	1000
K0132.3503	black powder-coated	350	61,5	M8	66,5	375	1000
K0132.4003	black powder-coated	400	61,5	M8	66,5	425	1000
K0132.5003	black powder-coated	500	61,5	M8	66,5	525	1000
K0132.6003	black powder-coated	600	61,5	M8	66,5	625	1000
K0132.2004	black plastic ribbed	200	61,5	M8	66,5	225	1000
K0132.2504	black plastic ribbed	250	61,5	M8	66,5	275	1000
K0132.3004	black plastic ribbed	300	61,5	M8	66,5	325	1000
K0132.3504	black plastic ribbed	350	61,5	M8	66,5	375	1000
K0132.4004	black plastic ribbed	400	61,5	M8	66,5	425	1000
K0132.5004	black plastic ribbed	500	61,5	M8	66,5	525	1000
K0132.6004	black plastic ribbed	600	61,5	M8	66,5	625	1000