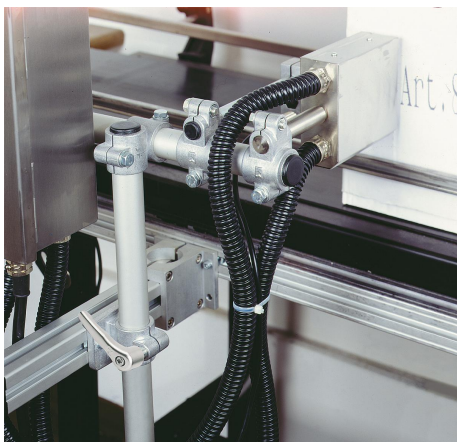
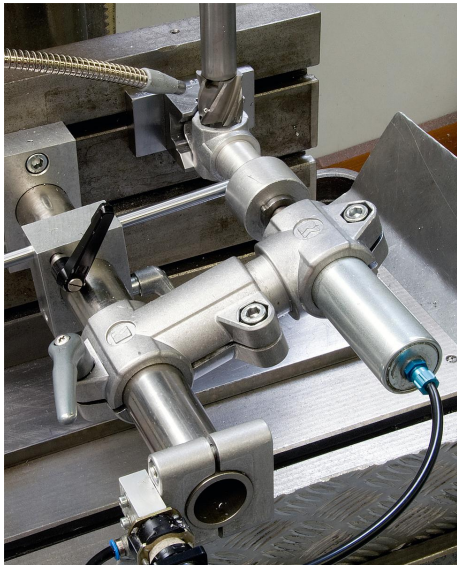


Tube clamps swivel plastic

Item description/product images



Description

Material:

Thermoplastic.

DIN 7984 screws and DIN 985 nuts steel.

Version:

Black.

Screws and nuts electro zinc-plated.

Note:

Tube swivel clamps can be seamlessly rotated through 180°.

The standard size for round tubes is Ø18 mm or Ø30 mm. Use reducer sleeves K0492 if smaller tubes are to be clamped or a conversion from round to square tubes is required.

On request:

Plastic levers for locking.

Accessory:

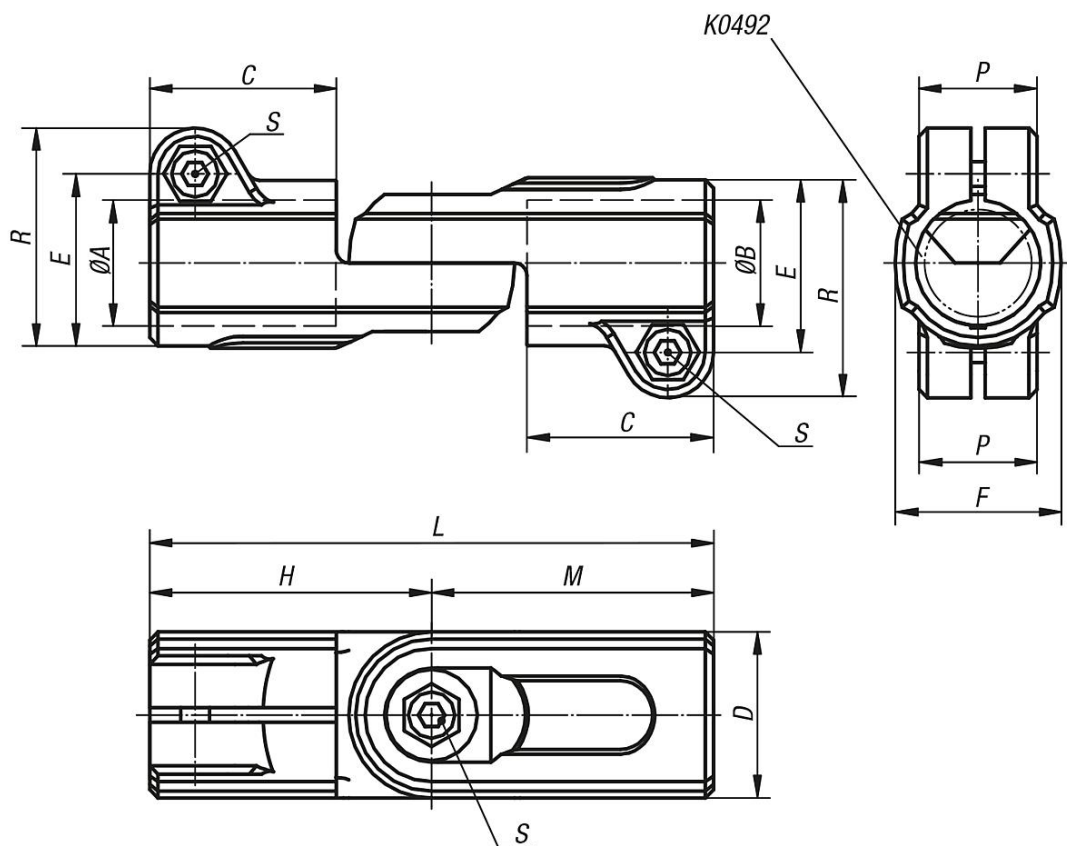
- Reducer sleeves K0492
- Round and square tubes K0493

Tube clamps swivel plastic

Item description/product images



Drawings



Overview of items

Tube clamps swivel, plastic

| Order No. | A | B | C | D | E | F | H | L | M | P | R | S |
|-----------|----|----|----|----|------|----|----|----|----|----|----|-------|
| K0489.18 | 18 | 18 | 30 | 25 | 26,5 | 25 | 45 | 90 | 45 | 21 | 34 | M6x18 |

Tube clamps swivel plastic**Overview of items**

| Order No. | A | B | C | D | E | F | H | L | M | P | R | S |
|-----------------|----|----|----|----|------|----|----|-----|----|------|------|-------|
| K0489.30 | 30 | 30 | 45 | 40 | 41,5 | 40 | 68 | 136 | 68 | 28,5 | 52,5 | M8x25 |