

## Hook clamp holders

### Item description/product images

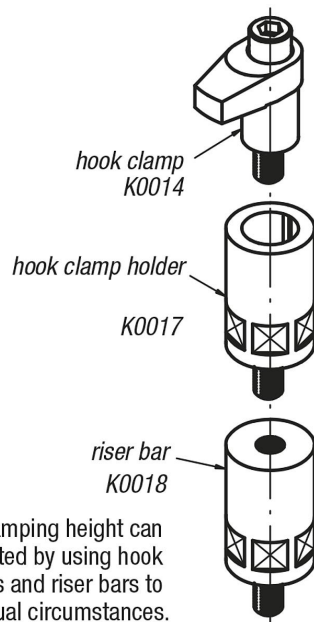


### Description

**Material:**  
Carbon steel.

**Version:**  
Black oxidised.

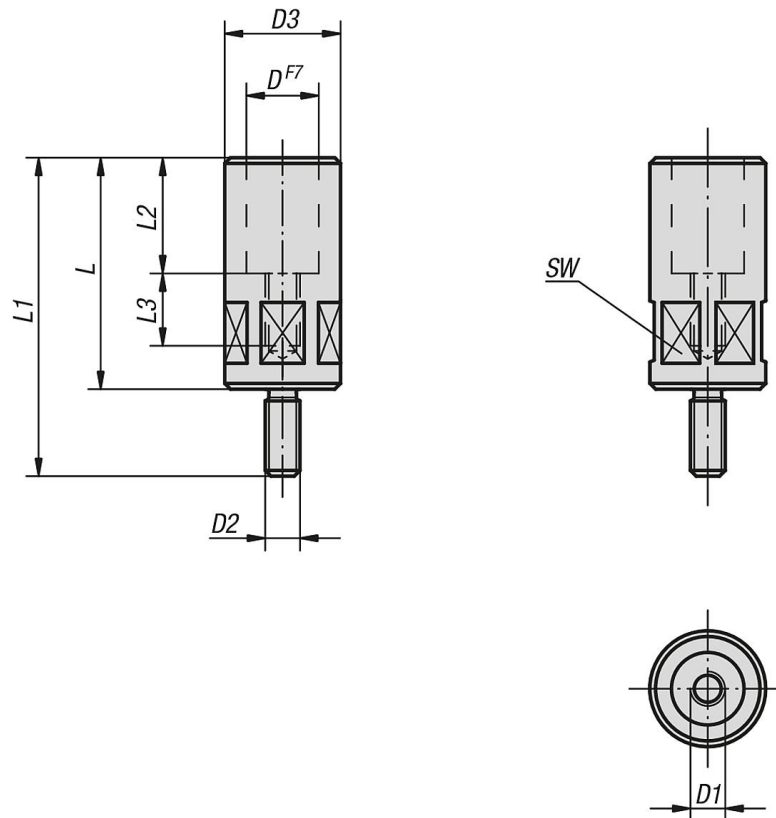
**Note:**  
Hook clamp holders are for holding and raising hook clamps.



The clamping height can be adjusted by using hook clamp holders and riser bars to suit individual circumstances.

# Hook clamp holders

## Drawings



## Overview of items

### Hook clamp holders

Order No.	D	D1	D2	D3	L	L1	L2	L3	SW	Tightening torque max. Nm
K0017.08055	18	M8	M8	24	55	74	25	20	22	29,4
K0017.10063	20	M10	M12	32	63	93	30	21	30	39,2
K0017.10080	20	M10	M12	32	80	110	30	23	30	39,2
K0017.12080	25	M12	M12	40	80	110	40	25	36	49
K0017.12100	25	M12	M12	40	100	130	40	28	36	49
K0017.16080	32	M16	M16	50	80	110	40	25	46	78,4
K0017.16100	32	M16	M16	50	100	130	40	28	46	78,4