

Toggle clamps latch horizontal heavy-duty with catch plate

Item description/product images



Description

Material:

Steel. Body and catch plate cast steel.
Grip ductile iron (SGI).

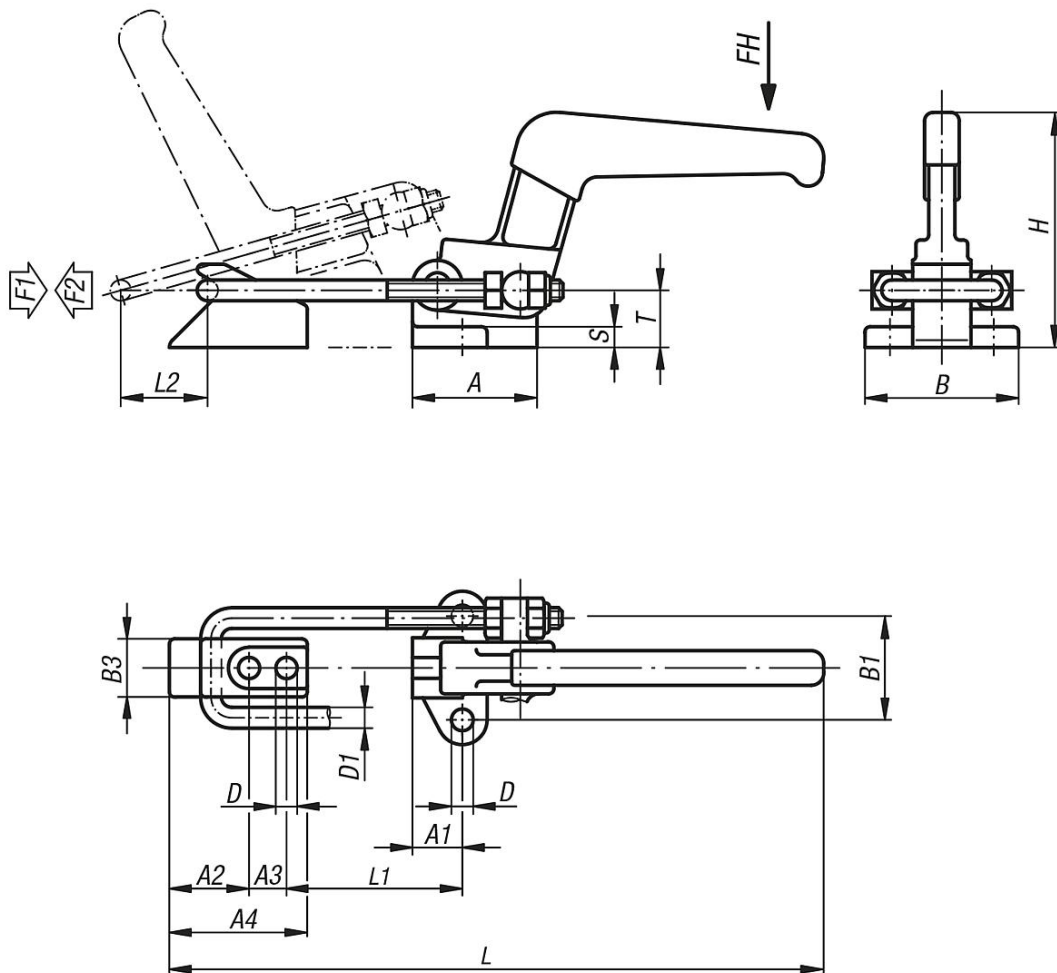
Version:

Trivalent passivated.
Body, catch plate and handle phosphated.
Plastic grip oil-resistant.

Note:

Horizontal latch toggle clamps are especially suitable for quickly closing and locking covers and hatches.
The travel can be set by altering the hasp length.

Drawings



Overview of items

Toggle clamps, latch, horizontal, heavy-duty with catch plate

Toggle clamps latch horizontal heavy-duty with catch plate

Overview of items

Order No.	Opening angle of handle	Hand force FH N	Retaining force F2 N	Pull force F1 N	Travel path L min.	Travel path L max.	Travel path L1 min.	Travel path L1 max.	Clamping travel L2				
K0081.1650	120°	600	20000	16500	270	320	38	88	60				
K0081.1900	120°	600	40000	19000	335	395	52	112	70				
Order No.	A	A1	A2	A3	A4	B	B1	B3	D	D1	H	S	T
K0081.1650	60	24	37	18	65	74	50	28	10,3	10	115	10	27
K0081.1900	82	36	44	22	78	84	56	34	12,4	12	132	12	33,5