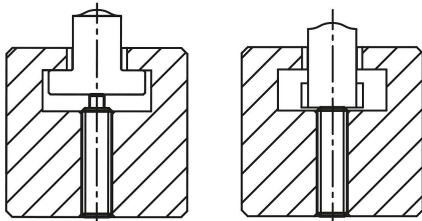


Spring plungers with hexagon socket and flattened POM thrust pin, steel

Item description/product images



Description

Material:

Sleeve steel grade 5.8.
Thrust pin POM.
Spring grade D steel wire.

Version:

Black oxidised.

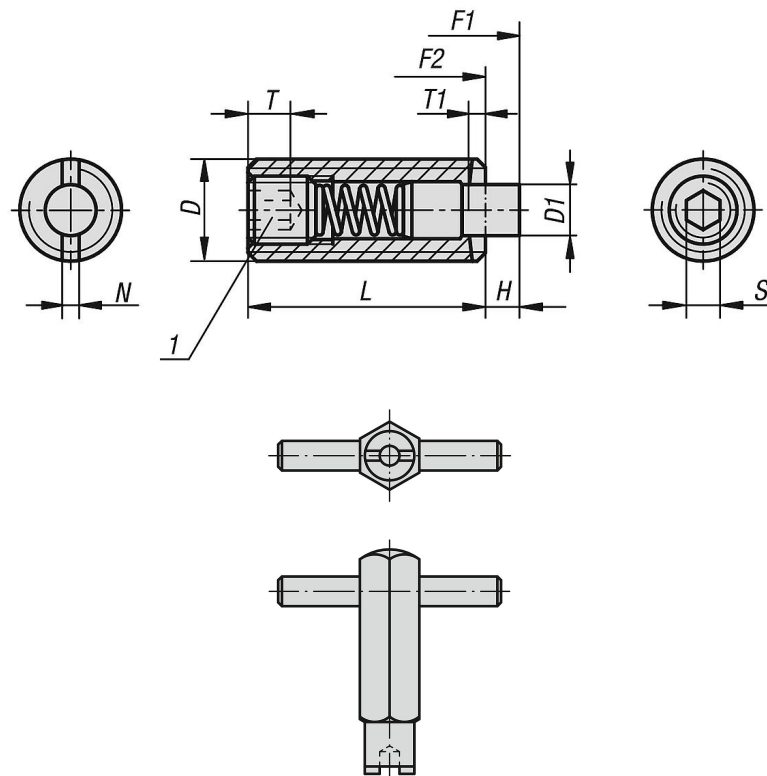
Note:

These spring plungers are chiefly used as ejectors and spring stops in machine construction.
The thrust pin is actuated in the axial direction.

Drawing reference:

1) grub screw glued in

Drawings



Overview of items

Spring plungers with hexagon socket and thrust pin, standard spring force

Spring plungers with hexagon socket and flattened POM thrust pin, steel

Overview of items

Order No.	D	D1	H	L	T	T1	N	S	Spring force initial pressure F1 approx. N	Spring force final pressure F2 approx. N	Order No. assembly key
K1372.05	M5	2,4	2,3	18	2	0,8	0,8	1,5	6	20	K0317.905
K1372.06	M6	2,7	2,5	20	2,5	1	1	2	7	20	K0317.906
K1372.08	M8	3,5	3	22	3	1,4	1,2	2,5	9	35	K0317.908
K1372.10	M10	4	3	22	3,5	1,4	1,6	3	9	35	K0317.910
K1372.12	M12	6	4	28	5	2	2	4	12	55	K0317.912
K1372.16	M16	7,5	5	32	6	2,5	2,5	5	45	100	K0317.916