

Hinges aluminium, with detent

Item description/product images



Description

Material:

Aluminium 6060 T5.
Screws and nuts stainless steel.
Washers PA.

Version:

Black anodised

Note:

These hinges have a detent mechanism that indexes every 30° from 0° to 270° and holds doors or hatches open or tightly closed.
The detent torque is not adjustable.

The hinges have a more than 30000 cycle service life.
Torque tolerance $\pm 20\%$

Fastened using DIN 912/EN ISO 4762 socket head screws.

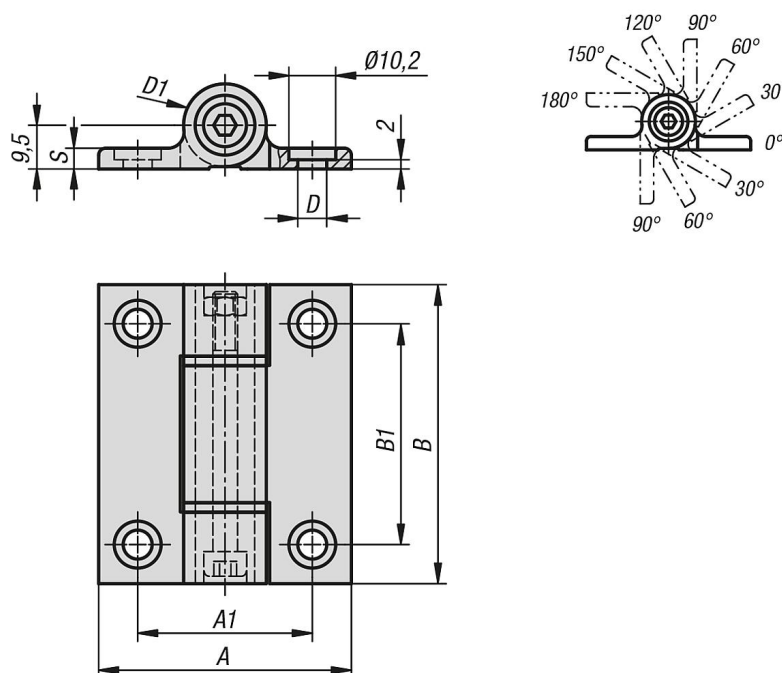
Temperature range:

From -30°C to +70°C

Accessory:

Socket head screws with hexagon socket DIN 912/EN ISO 4762.

Drawings



Overview of items

Hinges aluminium, with detent

Hinges aluminium, with detent

Overview of items

Order No.	A	A1	B	B1	D	D1	S	Max. torque Nm
K1198.556711	55	38	67	48	6,3	18	4,5	1,8
K1198.556712	55	38	67	48	6,3	18	4,5	2,5
K1198.556713	55	38	67	48	6,3	18	4,5	3,2
K1198.556715	55	38	67	48	6,3	18	4,5	5