

Locating bushes for ball lock pin

Item description/product images



Description

Material:

Steel or stainless steel.

Version:

Steel nickel-plated.

Stainless steel bright.

Note:

Mounting dimensions for Form A:

Mounting with nut, max. plate thickness 10 mm.

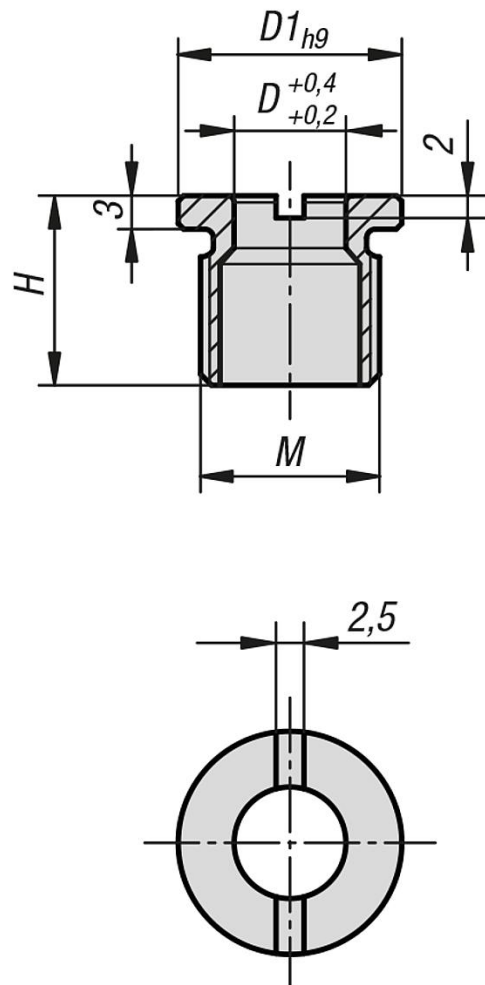
Mounting dimensions for Form B:

Screwed in, for plate thicknesses over 10 mm or in a blind hole.

On request:

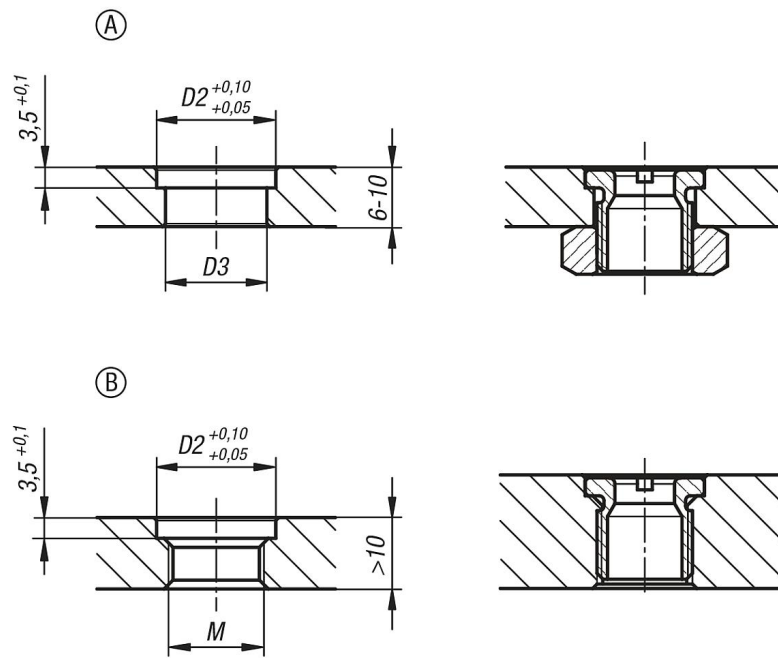
Suitable nuts and assembly tool.

Drawings



Locating bushes for ball lock pin

Drawings



Overview of items

Locating bushes for ball lock pin

Order No.	Material	D	D1	M	H	D2	D3
K1065.6	steel	6	16	M12x1,5	15	16	13
K1065.10	steel	10	20	M16x1,5	17	20	17
K1065.61	stainless steel	6	16	M12x1,5	15	16	13
K1065.101	stainless steel	10	20	M16x1,5	17	20	17