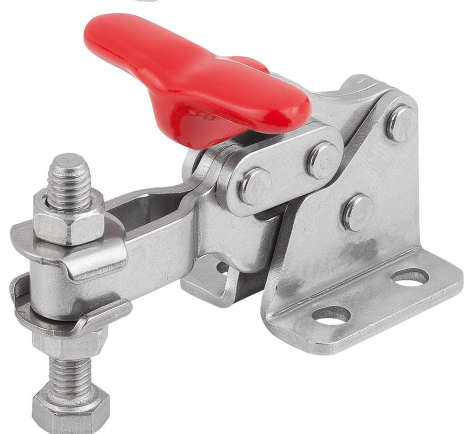


Toggle clamps vertical with flat foot and adjustable clamping spindle

Item description/product images



Description

Material:

Steel or stainless steel.

Version:

Electro zinc-plated steel.

Bright stainless steel.

Plastic handle, oil-resistant.

Note:

A neoprene thrust pad is supplied with versions K1257.011200 and K1257.023400.

Accessory:

K0688

K0689

K0690

K0101

K1442

K0102

K0103

K1443

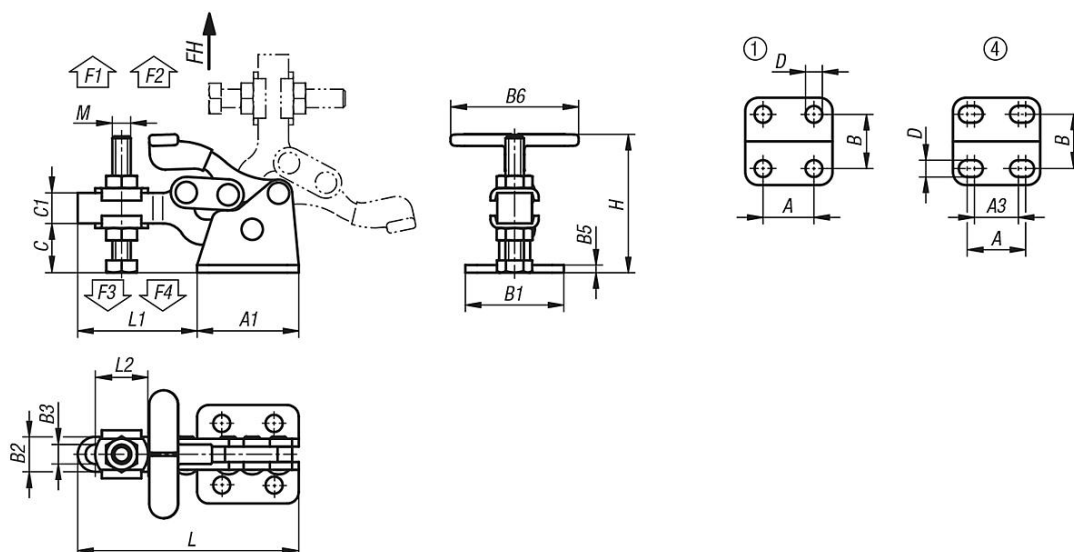
K0104

K0106

K1441

Toggle clamps vertical with flat foot and adjustable clamping spindle

Drawings



Overview of items

Toggle clamps vertical with flat foot and adjustable clamping spindle

Order No.	Main material	hole arrangement		Opening angle of holding arm		Opening angle of handle		Hand force FH N	Retaining force F1 N	Retaining force F2 N	Clamping force F3 N	Clamping force F4 N
K1257.011200	steel	1		90°	170°	50	800	1200	500	700		
K1257.023400	steel	4		90°	170°	200	1400	3400	800	1800		
K1257.111200	stainless steel	1		90°	170°	50	800	1200	500	700		

Order No.	Main material	A	A1	A3	B	B1	B2	B3	B5	B6	C	C1	D	H	L	L1	L2	M
K1257.011200	steel	13,5	26,2	-	15,9	25,4	9	5	2	34	12,7	7,9	4,4	36	57	30,8	12,7	M5x37
K1257.023400	steel	39	64,3	31	38,1	62,7	18,3	10,3	3	70	33,3	19	7,9	91	131,8	67,5	28	M10x80
K1257.111200	stainless steel	13,5	26,2	-	15,9	25,4	9	5	2	34	12,7	7,9	4,4	36	57	30,8	12,7	M5x30