

## Sensor holders

### Item description/product images



### Description

**Material:**

Polyamide fibreglass reinforced.

**Version:**

black.

**Note:**

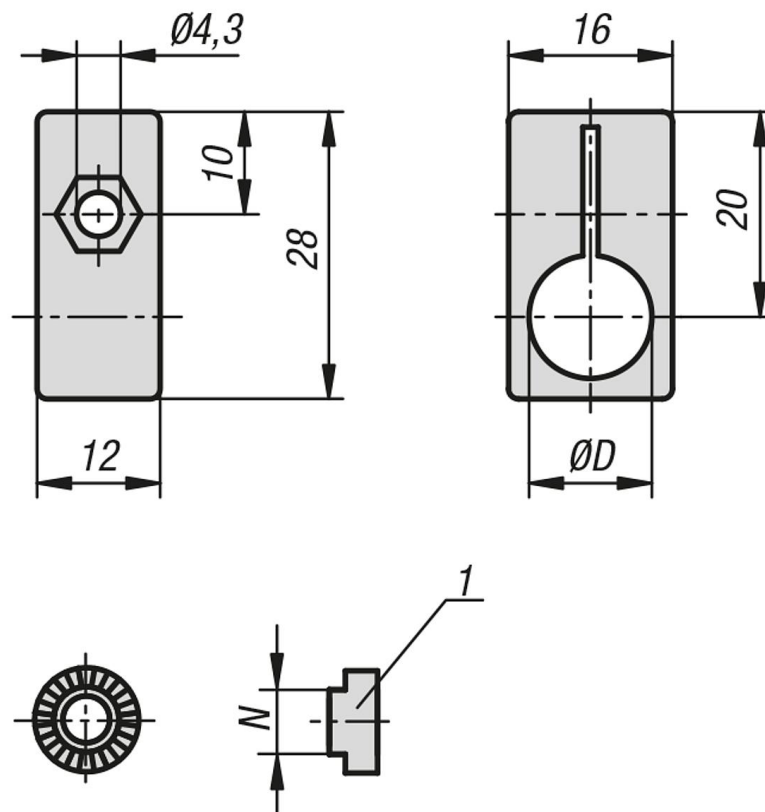
For fastening sensors and limit switches to aluminium profiles or panel elements.

Fastening pieces are available for various aluminium profile slot sizes. The fastening piece provides a positive rotation lock and can be adjusted in 15 increments. With no fastening piece the sensor holder can be infinitely adjusted in the angle.

**Drawing reference:**

1) Fastening piece

### Drawings



**Overview of items**

---

**Sensor holder**

Order No.	Item	D	N
K1281.080	Sensor holder	8	-
K1281.120	Sensor holder	12	-
K1281.905	Fastening piece	-	5
K1281.906	Fastening piece	-	6
K1281.908	Fastening piece	-	8
K1281.910	Fastening piece	-	10