

Wing grips "Miniwing" tapped through

Item description/product images



Description

Product description:

Technical freedom played an important role during the development of these small sized wing grips. The result is a miniwing that is far more than a means to an end. It is a rational and comfortable to use operating and working element.

Material:

Grip thermoplastic.

Bush steel 5.8 or stainless steel 1.4305.

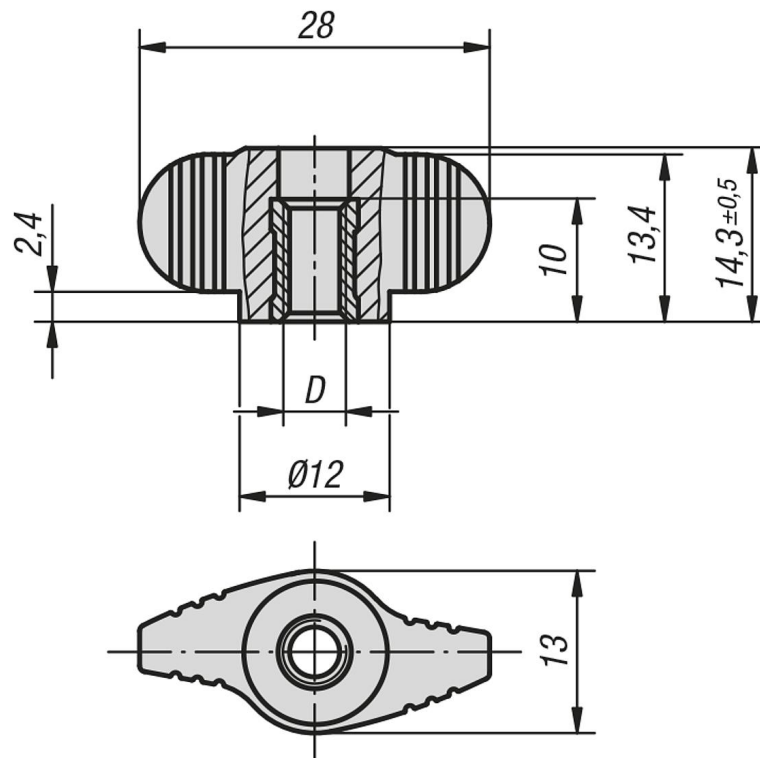
Version:

Grip black grey.

Steel trivalent blue passivated.

Stainless steel bright.

Drawings



Overview of items

Wing grips "Miniwing" with tapped through bush

Order No.	Component material	D
K0658.1004	steel	M4
K0658.1005	steel	M5
K0658.1006	steel	M6
K0658.10004	stainless steel	M4
K0658.10005	stainless steel	M5

Wing grips “Miniwing” tapped through

Overview of items

Order No.	Component material	D
K0658.10006	stainless steel	M6