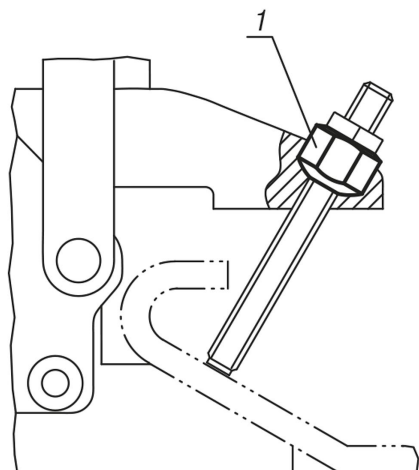


Spherical seating nuts

Item description/product images



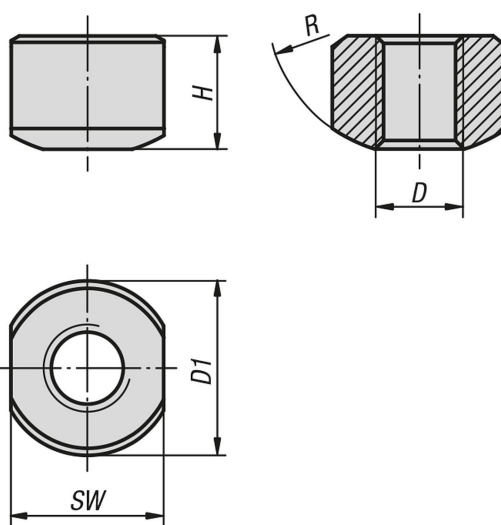
Description

Material:
Steel or stainless steel.

Version:
Steel black oxidised.
Stainless steel bright.

Drawing reference:
1) Weldable

Drawings



Overview of items

Spherical seating nuts

Order No.	Main material	D	H	D1	SW	R
K0664.04	steel	M4	5,2	8	7	7
K0664.05	steel	M5	6,7	10	9	9
K0664.06	steel	M6	9,5	13,5	12,2	10
K0664.08	steel	M8	12,8	18	15,3	12
K0664.10	steel	M10	12,1	20	18,2	14
K0664.12	steel	M12	14,8	23	20	16
K0664.104	stainless steel	M4	5,2	8	7	7

Spherical seating nuts

Overview of items

Order No.	Main material	D	H	D1	SW	R
K0664.105	stainless steel	M5	6,7	10	9	9
K0664.106	stainless steel	M6	9,5	13,5	12,2	10
K0664.108	stainless steel	M8	12,8	18	15,3	12