

Spacer rings

Item description/product images

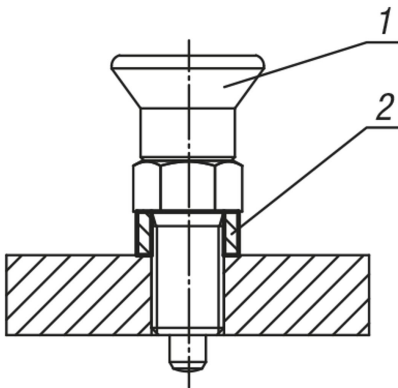


Description

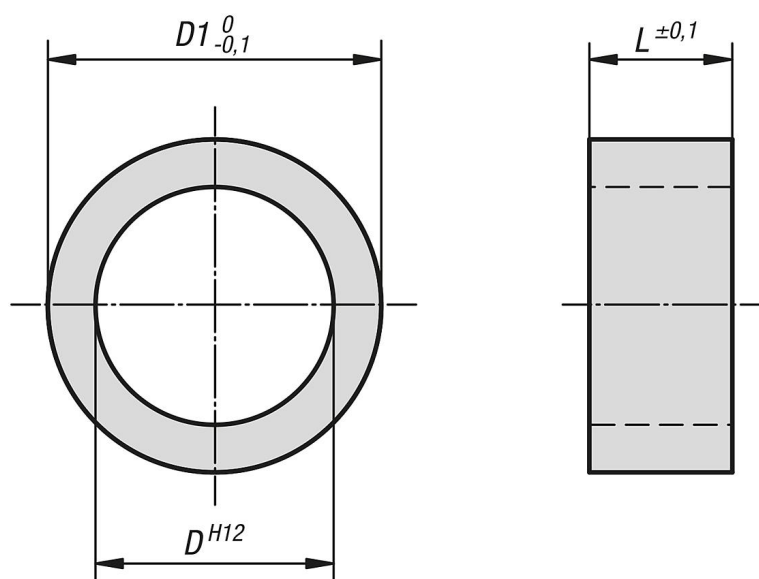
Version:
Bright.

Note:
Spacer rings are used to adjust the indexing plunger thread length to suit the application wall thickness.

Drawing reference:
1) Indexing plunger
2) Spacer ring



Drawings



Spacer rings

Overview of items

Spacer rings

Order No.	D	D1	L
K0665.90811021	8	11	2
K0665.90811031	8	11	3
K0665.90811041	8	11	4
K0665.90811061	8	11	6
K0665.90811081	8	11	8
K0665.91014021	10	14	2
K0665.91014031	10	14	3
K0665.91014041	10	14	4
K0665.91014061	10	14	6
K0665.91014081	10	14	8
K0665.91215021	12	15	2
K0665.91215041	12	15	4
K0665.91215051	12	15	5
K0665.91215061	12	15	6
K0665.91215081	12	15	8
K0665.91217021	12	17	2
K0665.91217041	12	17	4
K0665.91217051	12	17	5
K0665.91217061	12	17	6
K0665.91217081	12	17	8
K0665.91621041	16	21	4
K0665.91621051	16	21	5
K0665.91621061	16	21	6
K0665.91621081	16	21	8
K0665.91621101	16	21	10