

## Indexing plungers

### Item description/product images

---



### Description

**Material:**

Steel version:  
Indexing pin not hardened.  
Threaded sleeve 1.0718.  
Indexing pin 1.4305.

Stainless steel version:  
Indexing pin not hardened.  
Threaded sleeve and indexing pin 1.4305.

Mushroom knob black grey thermoplastic.

**Version:**

Steel version:  
Indexing pin hardened.  
Threaded sleeve trivalent blue passivated.  
Indexing pin bright.

Stainless steel version:  
Indexing pin not hardened.  
Steel parts bright.

**Note:**

This article is a cost-efficient alternative to the existing indexing plungers. It is suitable for applications which require less precision.  
The max. tightening torque should be observed when assembling.

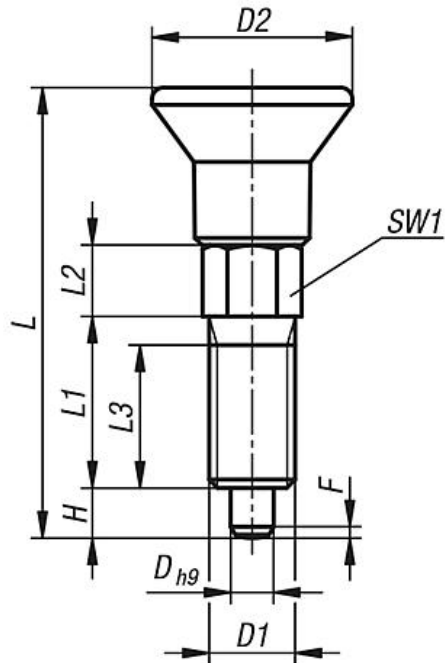
**On request:**

Special versions and fine thread

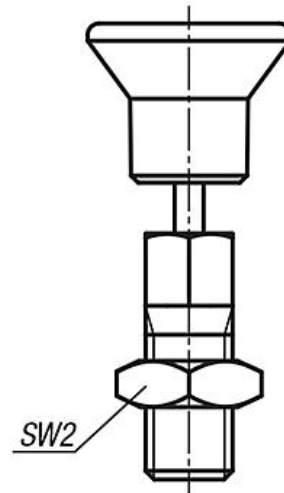
Indexing plungers

Drawings

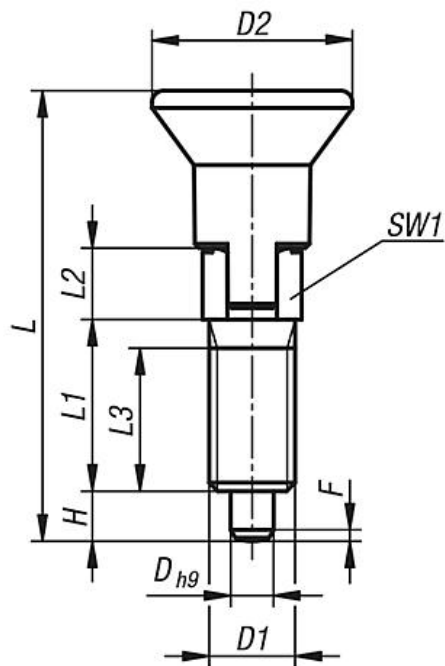
Form A  
non-lockout type  
without locknut



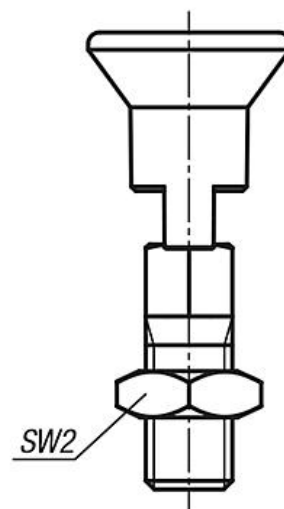
Form B  
non-lockout type  
with locknut



Form C  
lockout type  
without locknut



Form D  
lockout type  
with locknut



## Indexing plungers

### Overview of items

#### Indexing plungers, steel, indexing pin not hardened

Order No. Form A	Order No. Form B	Order No. Form C	Order No. Form D	D	D1	D2	L	L1	L2	L3	H	SW1	SW2	Fx30°	Spring force initial pressure F1 approx. N	Spring force final pressure F2 approx. N	Tightening torque max. Nm
K0747.01903060	K0747.02903060	K0747.03903060	K0747.04903060	3	M6	14	31,5	12	5	10	3,5	6	-/10/-/10	0,8	4	10	2
K0747.01004060	K0747.02004060	K0747.03004060	K0747.04004060	4	M6	14	36	15	6	13	4	6	-/10/-/10	1	6	12	2
K0747.01105080	K0747.02105080	K0747.03105080	K0747.04105080	5	M8	14	40	17	7	15	5	8	-/13/-/13	1,3	6	12	7
K0747.01206100	K0747.02206100	K0747.03206100	K0747.04206100	6	M10	18	47,5	20	8	17	6	10	-/17/-/17	1,8	8	15	15
K0747.01308120	K0747.02308120	K0747.03308120	K0747.04308120	8	M12	25	61,7	26	10	23	8	12	-/19/-/19	2,3	8	19	20

#### Indexing plungers, stainless steel, indexing pin not hardened

Order No. Form A	Order No. Form B	Order No. Form C	Order No. Form D	D	D1	D2	L	L1	L2	L3	H	SW1	SW2	Fx30°	Spring force initial pressure F1 approx. N	Spring force final pressure F2 approx. N	Tightening torque max. Nm
K0747.11903060	K0747.12903060	K0747.13903060	K0747.14903060	3	M6	14	31,5	12	5	10	3,5	6	-/10/-/10	0,8	4	10	2
K0747.11004060	K0747.12004060	K0747.13004060	K0747.14004060	4	M6	14	36	15	6	13	4	6	-/10/-/10	1	6	12	2
K0747.11105080	K0747.12105080	K0747.13105080	K0747.14105080	5	M8	14	40	17	7	15	5	8	-/13/-/13	1,3	6	12	7
K0747.11206100	K0747.12206100	K0747.13206100	K0747.14206100	6	M10	18	47,5	20	8	17	6	10	-/17/-/17	1,8	8	15	15
K0747.11308120	K0747.12308120	K0747.13308120	K0747.14308120	8	M12	25	61,7	26	10	23	8	12	-/19/-/19	2,3	8	19	20