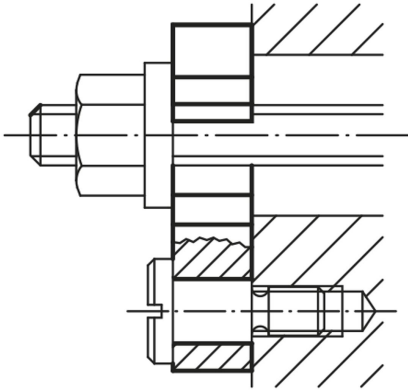
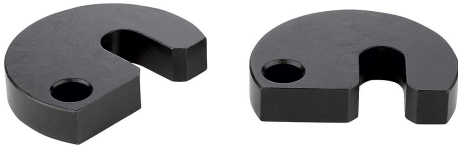


C-washers captive DIN 6371

Item description/product images



Description

Material:

Carbon steel 1.0760.

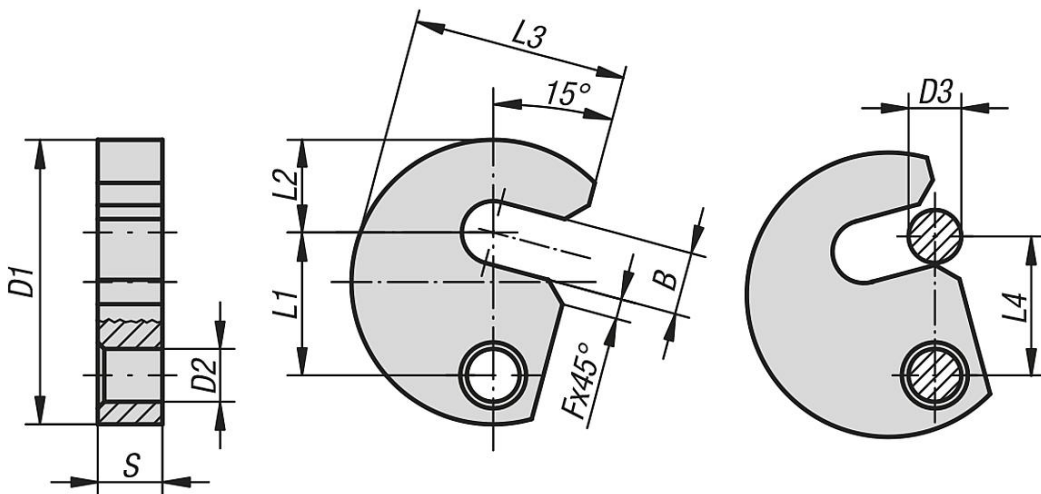
Version:

Nitrided and black oxidised.

Note:

K0703.14 is not standard. Suitable shoulder screws see K0704.

Drawings



Overview of items

C-washers captive DIN 6371

Order No.	B	D1	D2	D3	F	L1	L2	L3	L4	S
K0703.06	7,5	38	9	6	3	19,6	11	29	19	9,8
K0703.08	9,5	43	9	8	3	21,6	14	32,5	21	9,8
K0703.10	11,5	48	9	10	3	23,6	17	36,5	23	9,8
K0703.12	13,5	61	11	12	3	29,6	22	45	29	11,8
K0703.14	15,5	65	11	14	3	31,6	23	49	31	11,8
K0703.16	17,5	68	11	16	3	33,6	25	50	33	11,8
K0703.20	21,5	74	11	20	4	36,6	28	55	36	11,8