

## Spring plungers with hexagon socket and thrust pin, long version

### Item description/product images



### Description

#### Material:

Sleeve steel grade 5.8.  
Thrust pin steel.  
Spring steel wire grade D.

#### Version:

Black oxidised.  
Thrust pin hardened.

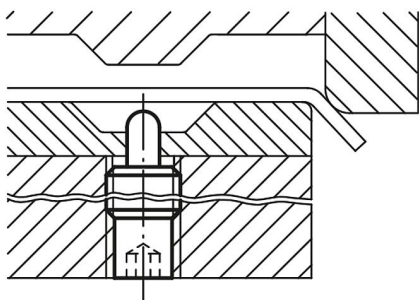
#### Note:

These spring plungers are chiefly used as ejectors and spring stops in machine construction.

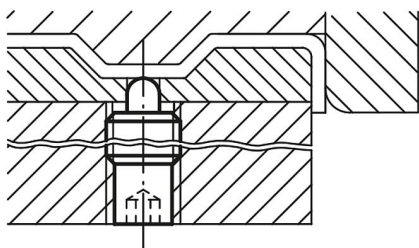
#### Drawing reference:

1) grub screw glued in

bending

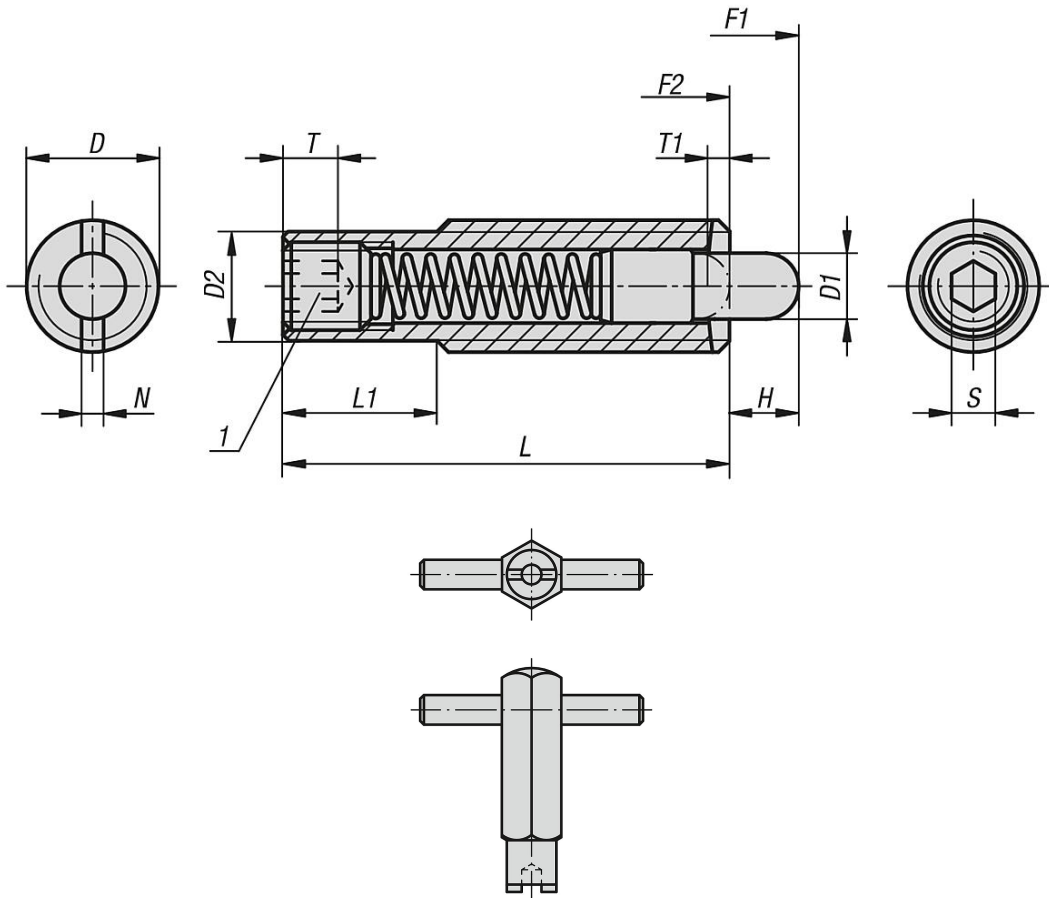


ready to eject



# Spring plungers with hexagon socket and thrust pin, long version

## Drawings



## Overview of items

### Spring thrust pin with hexagon socket and thrust pin, long version

Order No.	D	D1	D2	L	L1	H	T	T1	N	S	Spring force initial pressure F1 approx. N	Spring force final pressure F2 approx. N	Order No. assembly key
K0657.608X30	M8	3,5	6,2	30	10	6	2	1,4	1,2	2,5	8	20	K0317.908
K0657.608X40	M8	3,5	6,2	40	20	8	2	1,4	1,2	2,5	10	28	K0317.908
K0657.608X50	M8	3,5	6,2	50	30	10	2	1,4	1,2	2,5	12	38	K0317.908
K0657.608X60	M8	3,5	6,2	60	40	15	2	1,4	1,2	2,5	15	45	K0317.908
K0657.610X40	M10	4	8	40	10	8	2	1,4	1,6	3	12	30	K0317.910
K0657.610X50	M10	4	8	50	20	10	2	1,4	1,6	3	16	46	K0317.910
K0657.610X60	M10	4	8	60	30	15	2	1,4	1,6	3	20	55	K0317.910
K0657.610X80	M10	4	8	80	50	20	2	1,4	1,6	3	25	65	K0317.910
K0657.612X50	M12	6	9,6	50	20	10	3	2	2	4	20	50	K0317.912
K0657.612X60	M12	6	9,6	60	30	15	3	2	2	4	25	76	K0317.912
K0657.612X80	M12	6	9,6	80	50	20	3	2	2	4	35	102	K0317.912
K0657.612X100	M12	6	9,6	100	70	25	3	2	2	4	40	102	K0317.912
K0657.616X60	M16	7,5	13,4	60	30	12	6	2,5	2,5	5	30	64	K0317.916
K0657.616X80	M16	7,5	13,4	80	50	20	6	2,5	2,5	5	30	110	K0317.916
K0657.616X100	M16	7,5	13,4	100	70	30	6	2,5	2,5	5	30	120	K0317.916
K0657.616X120	M16	7,5	13,4	120	90	40	6	2,5	2,5	5	20	130	K0317.916