

## Positioning pins free-milled not ground

### Item description/product images

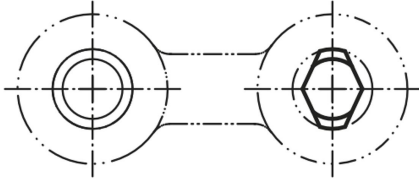


### Description

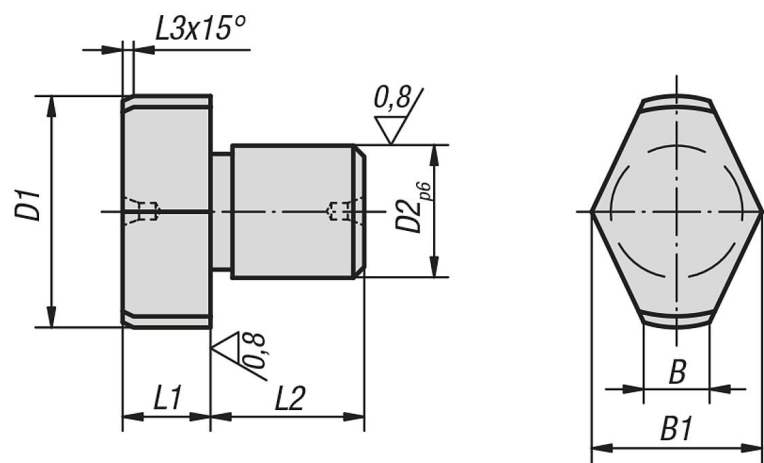
**Material:**  
Tool steel.

**Version:**  
Hardened.

**Note:**  
Top face with centrebore.



### Drawings



### Overview of items

#### Free-milled positioning pins, not ground

Order No.	D1	D2	L1	L2	L3	B	B1
K0355.05	8,5	5	8	8	2	2	6,6
K0355.07	10,5	7	8	8	2	3	8,6
K0355.08	12,5	8	8	10	2	3	9,8
K0355.081	14,5	8	8	10	3	3,5	11,2
K0355.09	16,5	9	8	12	3	4	13,2
K0355.12	18,5	12	8	12	3	4,5	14,7
K0355.121	20,5	12	8	14	3	5	16,6
K0355.14	22,5	14	8	14	3	5,6	18
K0355.16	25,5	16	8	16	3	6	19,8