

Hinges stainless steel

Item description/product images



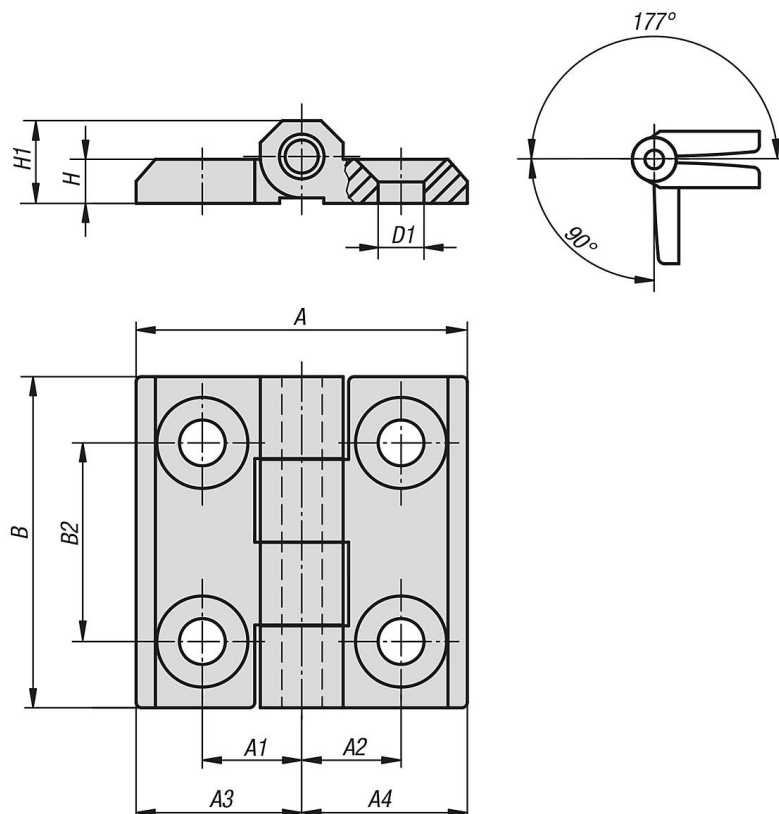
Description

Material:
Stainless steel 1.4401.

Version:
Polished or blasted.

Note:
Hinges with fixed pin and countersunk holes.

Drawings



Overview of items

Hinges, stainless steel

Order No.	Surface finish body	A	A1	A2	A3	A4	B	B2	D1	H	H1
K1085.052013130	polished	39	12,5	12,5	19,5	19,5	39	25	5,5	4	9
K1085.052013131	blasted	39	12,5	12,5	19,5	19,5	39	25	5,5	4	9
K1085.062515150	polished	50	15	15	25	25	50	30	6,5	6	12
K1085.062515151	blasted	50	15	15	25	25	50	30	6,5	6	12
K1085.083018180	polished	60	18	18	30	30	60	36	8,5	8	15
K1085.083018181	blasted	60	18	18	30	30	60	36	8,5	8	15

