

Toggle clamps vertical heavy-duty with fixed clamping spindle

Item description/product images

Description

Material:

Steel.

Version:

Steel, hardened and passivated.

Plastic handle, oil-resistant.

Accessory:

K1442

K0102

K0103

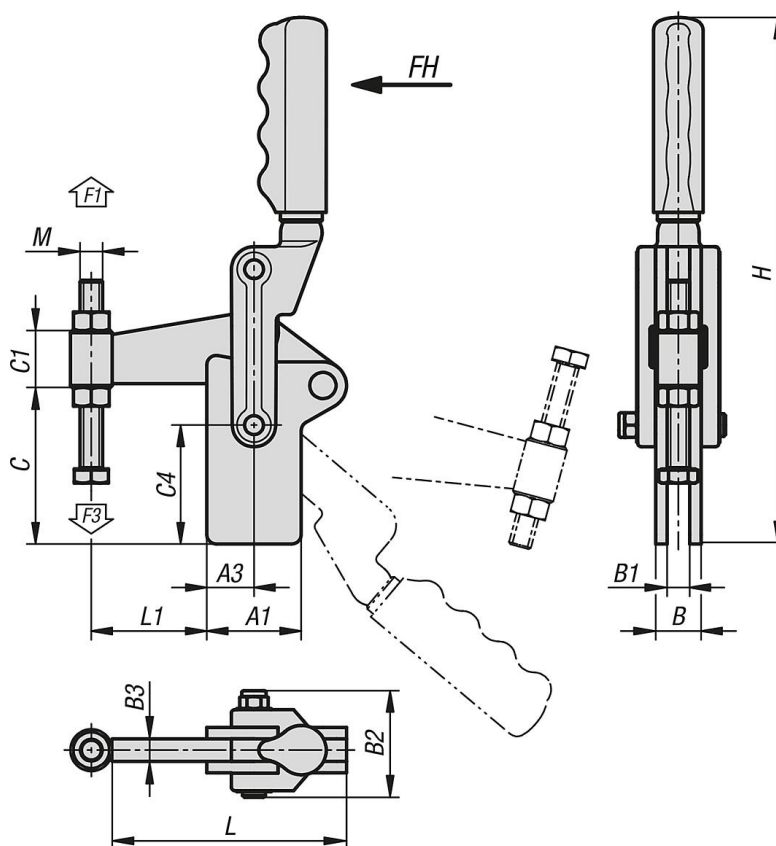
K1443

K0106



Toggle clamps vertical heavy-duty with fixed clamping spindle

Drawings



Overview of items

Toggle clamps vertical heavy-duty with fixed clamping spindle

| Order No. | Opening angle of holding arm | | Opening angle of handle | | Hand force FH N | Retaining force F1 N | Clamping force F3 N | | | | | | |
|--------------|------------------------------|----|-------------------------|----|-----------------|----------------------|---------------------|----|----|-----|-----|------|---------|
| K1250.007000 | 205° | | 130° | | 300 | 7000 | 1400 | | | | | | |
| K1250.012000 | 195° | | 130° | | 500 | 12000 | 1400 | | | | | | |
| K1250.014000 | 195° | | 130° | | 500 | 14000 | 1850 | | | | | | |
| Order No. | A1 | A3 | B | B1 | B2 | B3 | C | C1 | C4 | H | L | L1 | M |
| K1250.007000 | 45 | 25 | 20 | 10 | 49,5 | 10 | 70 | 30 | 50 | 243 | 105 | 51,1 | M10x80 |
| K1250.012000 | 50 | 25 | 24 | 12 | 56,5 | 12 | 85 | 30 | 63 | 279 | 124 | 61,1 | M12x100 |
| K1250.014000 | 63 | 40 | 32 | 16 | 67,5 | 16 | 108 | 38 | 78 | 325 | 158 | 75 | M16x150 |